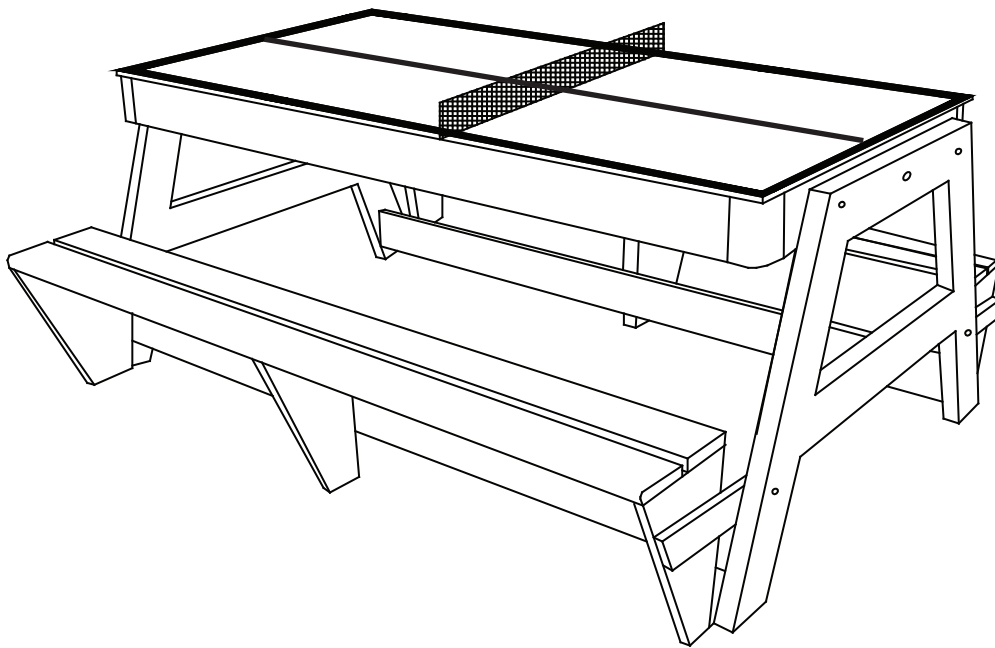


# 3 IN 1 Game Table

## Assembly Instruction



900363

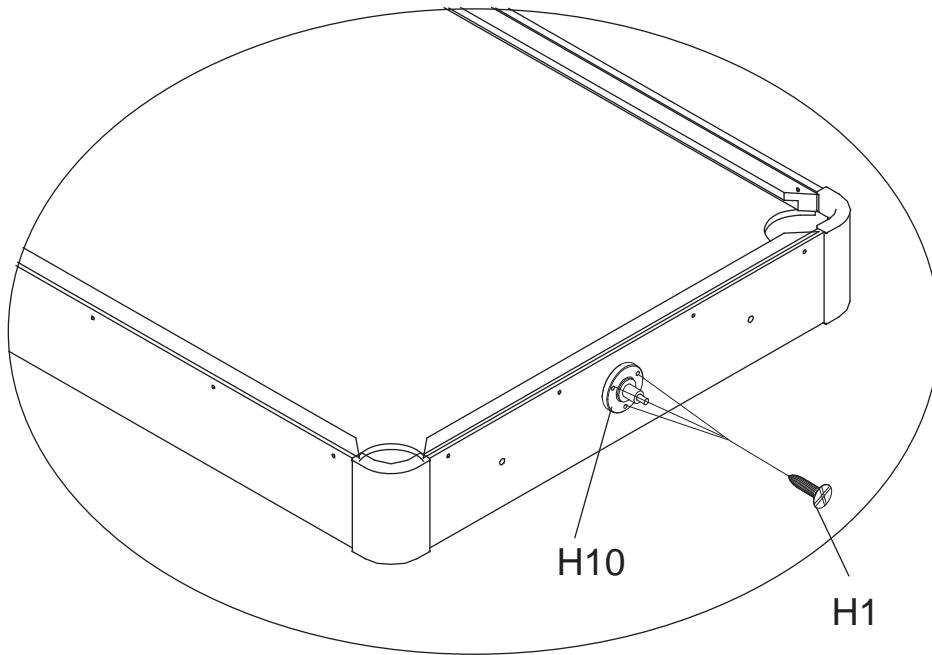
# PARTS IDENTIFIER

## (Not to Scale)

A rectangular panel with four mounting holes at the corners.	A long, thin rectangular panel.	A chair leg with a horizontal crossbar.	A chair leg with a horizontal crossbar, mirror image of P3.	A simple rectangular chair leg.
A long, thin rectangular board with a hole near one end.	A long, thin rectangular board with a hole near one end, slightly different shape from P6.	A small flat head screw.	A larger flat head screw.	A medium-sized bolt with a hexagonal head.
A large bolt with a hexagonal head.	A circular washer with a hole in the center.	A smaller circular washer with a hole in the center.	A hexagonal acorn nut.	A hexagonal lock nut.
A knob with a threaded stem.	A shoulder bolt with a wide flange.	A coiled metal spring.	A standard open-end wrench.	An L-shaped Allen wrench.
A set of 15 billiard balls arranged in a 3x5 grid.	Two rectangular pieces of chalk.	A long-handled brush with bristles.	A triangular billiard rack.	Two pool cues.
A single table tennis ball.	A rectangular table tennis net.	A table tennis paddle.	A deck of playing cards.	A small deck of playing cards.
A rectangular cover or proof sheet.				

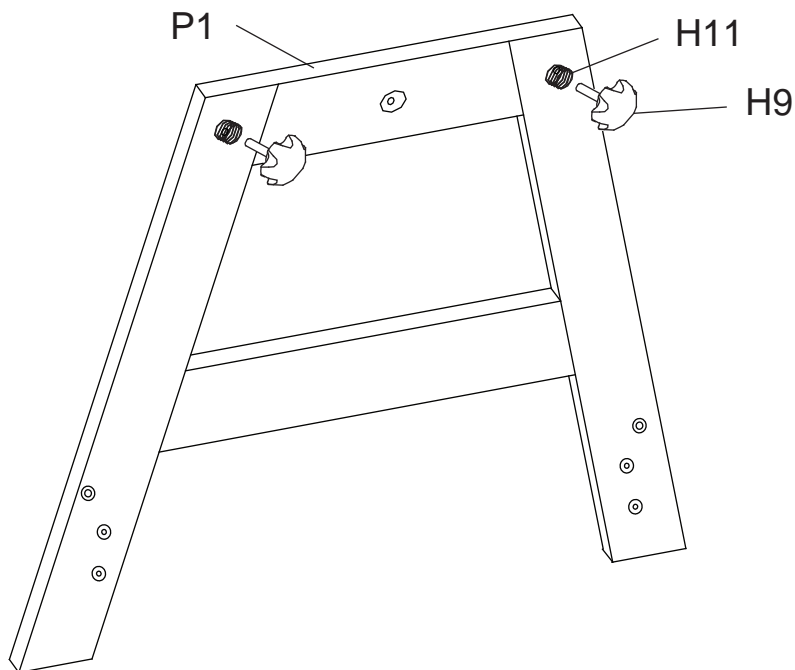
1. Attach shoulder bolt **H10** to the end apron of the table using screws **H1** as shown in Figure 1.

Figure 1



2. Attach the spring H11 to the Knob H9, then attach the knob H9 and spring H11 to the leg panel, as shown in Figure 2.

Figure 2



3. Invert Leg Panel P1 and slide the panel onto Shoulder Bolt H10 as shown in Figure 3. To secure the Leg Panel, place M8 Washer H5 with an Acorn Nut H7 onto the shoulder bolt and tighten with wrench T1. Do not over tighten this nut as this is a Pivot Point.
4. With the help of another adult, Place side panel P2 between leg panels using washers H6 and bolts H3 tighten with allen wrench T2 as shown in Figure 3.

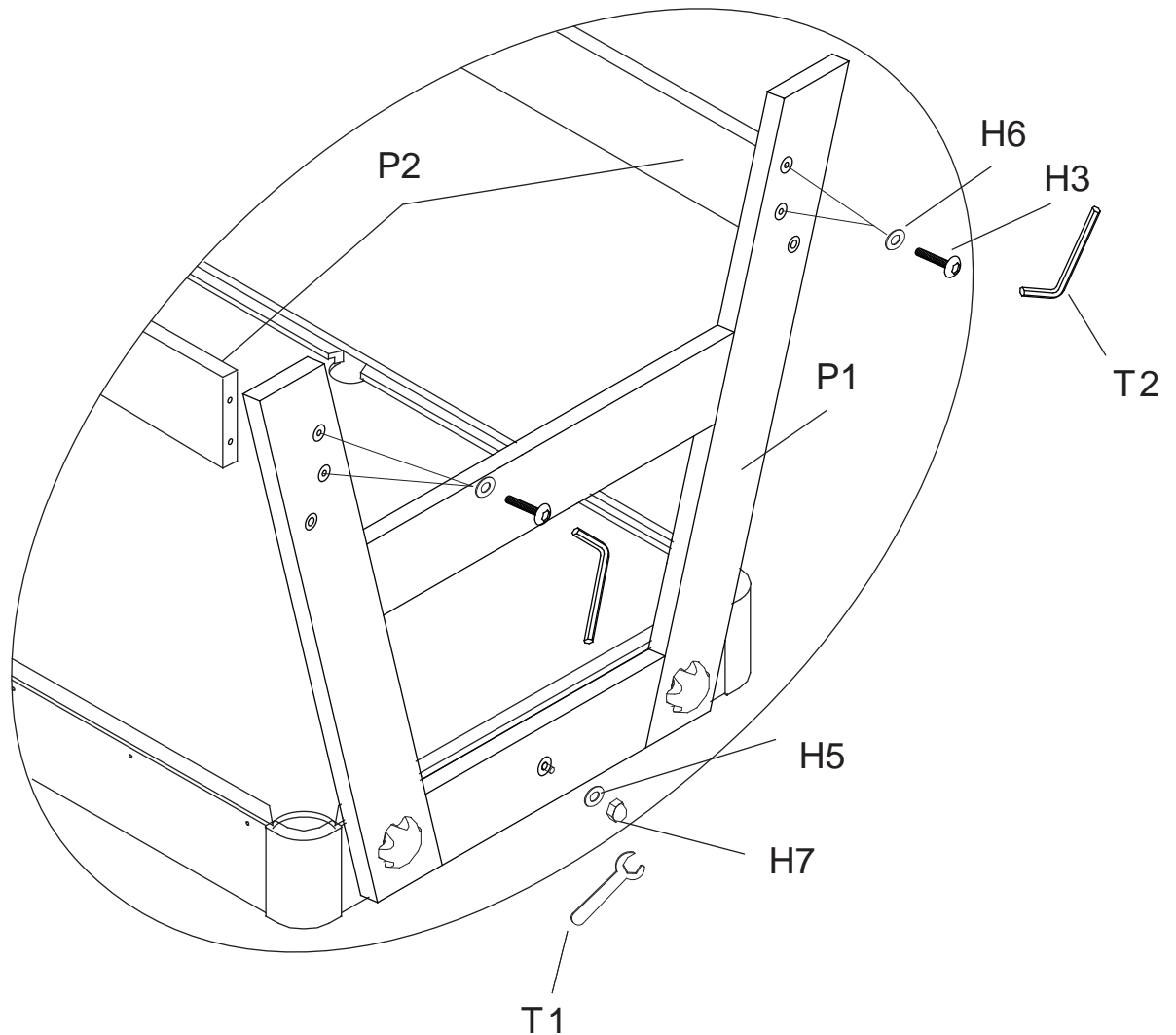


Figure 3

5. Be sure all hardware is secure before this table is turned over.



## WARNING:

**THIS STEP REQUIRES TWO OR MORE ADULTS.**

**VERY CAREFULLY TURN THE TABLE OVER AND SET IT ON ITS LEGS. BE CAREFUL, THE TABLE IS VERY HEAVY.**

6. Attach chair boards(P6&P7) with left leg P3 、 middle leg P5 and Right leg P4 using screws H2 as shown in Figure 4. Be sure chair board B (P7) with rotating stick (P3&P4) at the same direction.

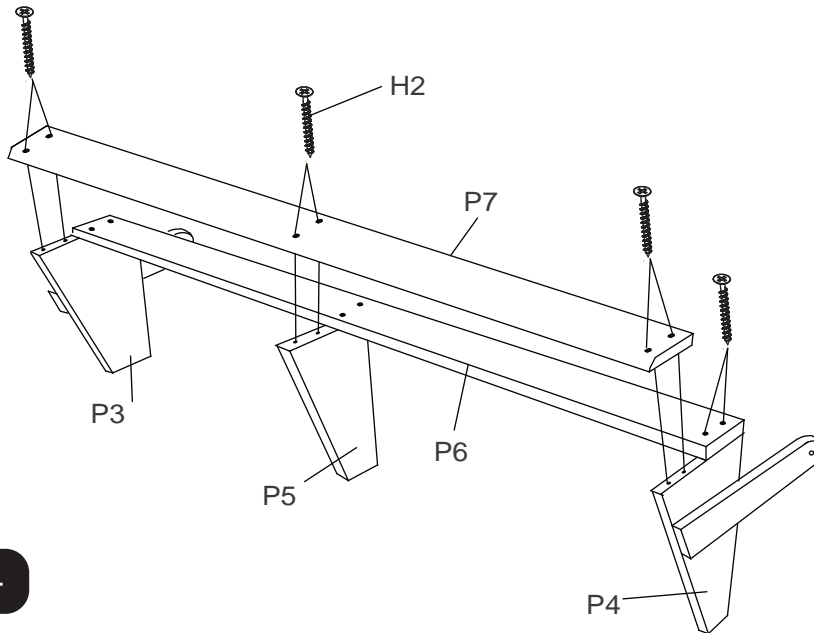


Figure 4

7. Using bolts H4 、 washers H5 and lock nuts H8 tighten up leg panels with rotating stick of P3&P4 as shown in Figures 5&6 (Be careful with rotate table to avoid damage).

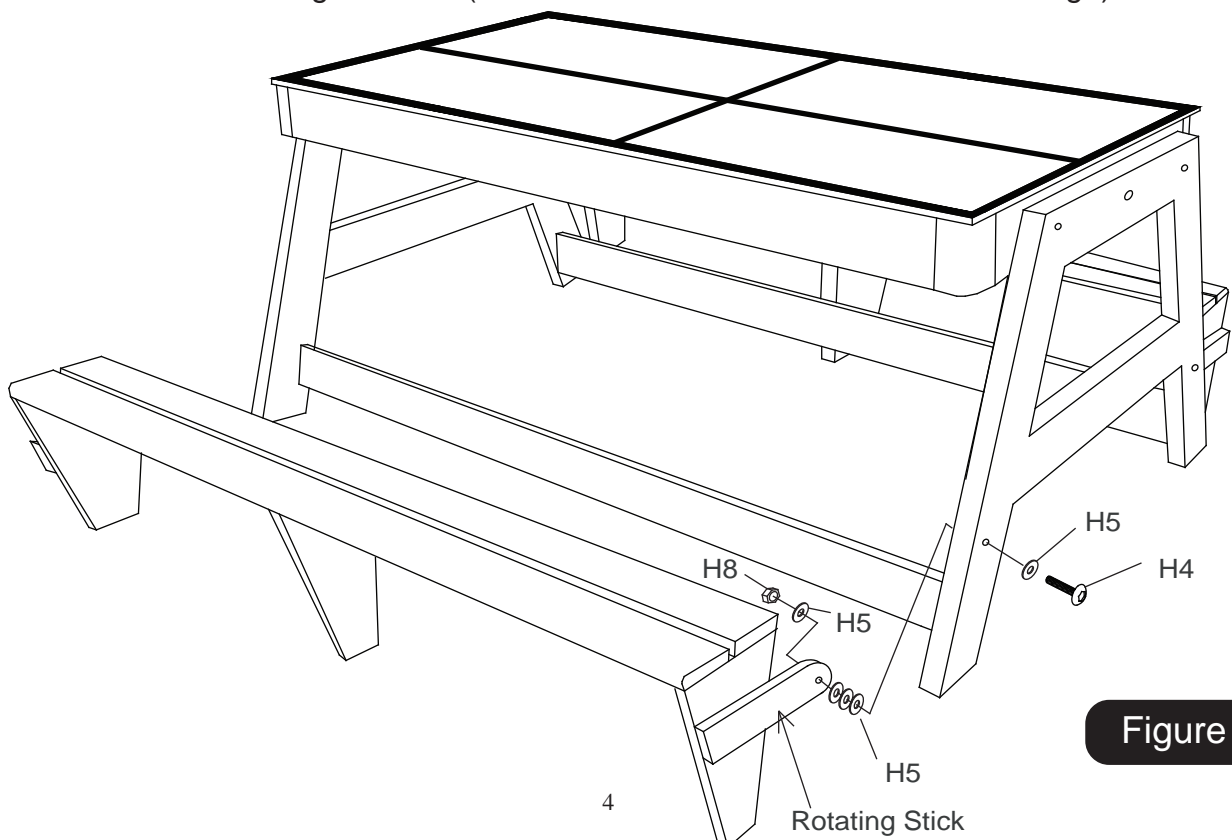
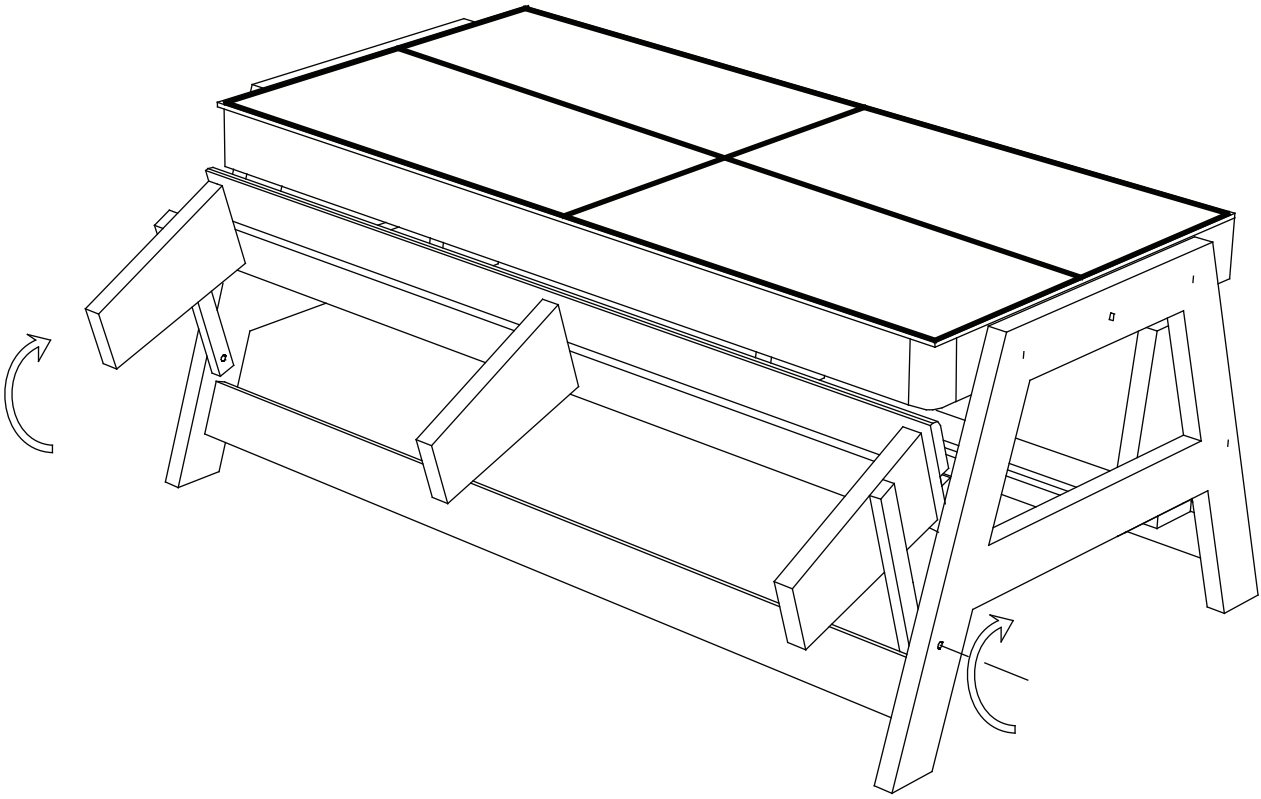


Figure 5

NOTICE: The chair can be rotated after installed properly as shown below figure.  
( Watch your fingers when you rotate chairs and move the table with care)



After playing, using cover-proof cover the table and take the small parts inside the house for protect your table.