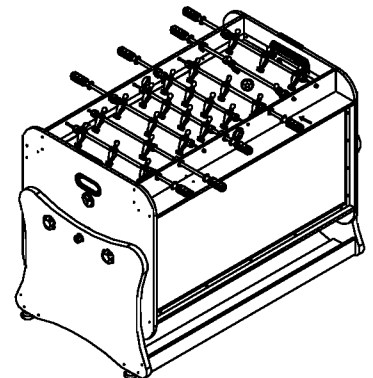
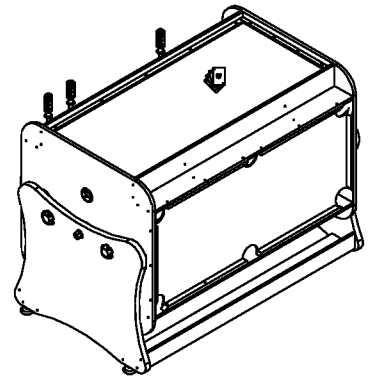
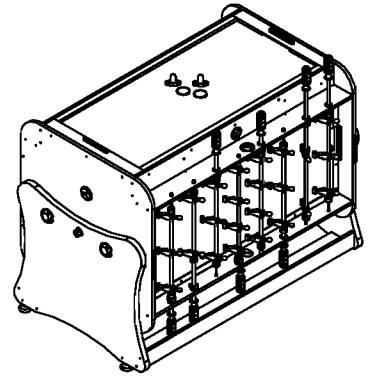
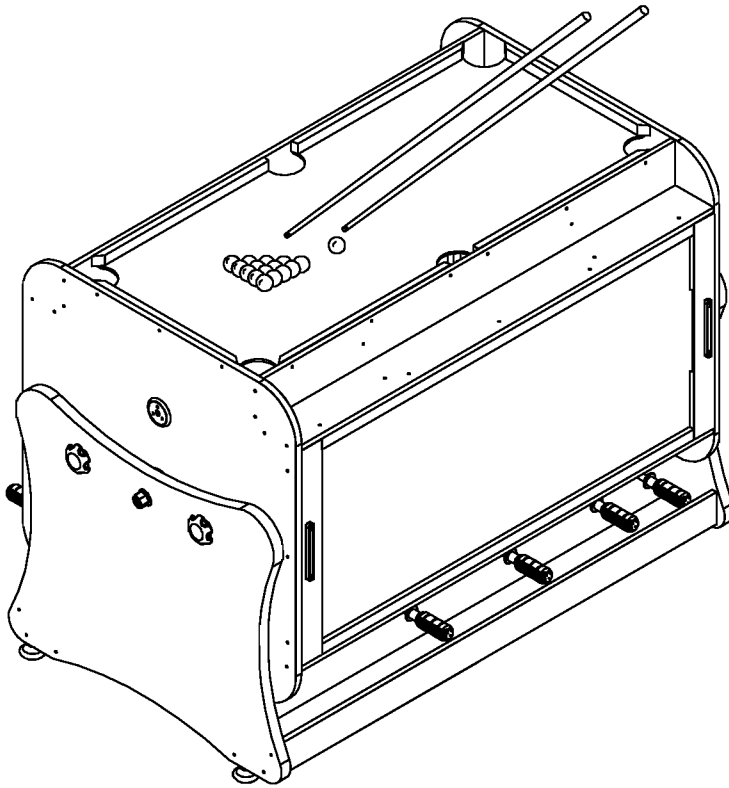


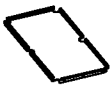
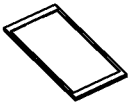
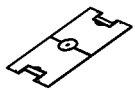

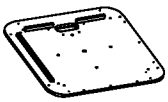
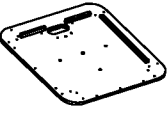
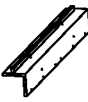

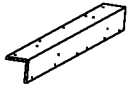



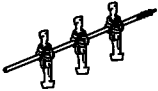
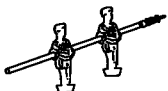
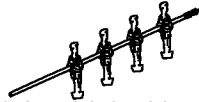



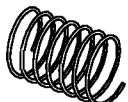
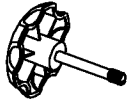
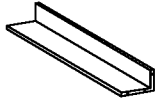

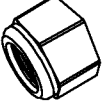






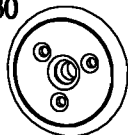











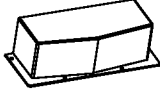
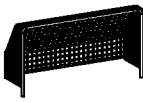
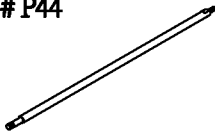
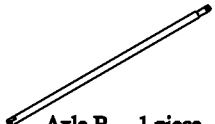
48 INCH 4-In-1 Rotate Games Table

Assembly Instruction


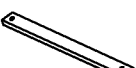








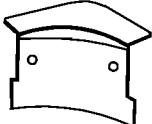
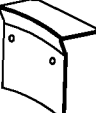

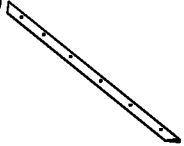


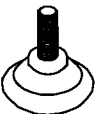


#900361

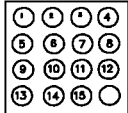
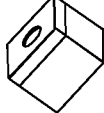

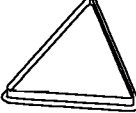
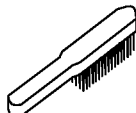
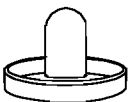




PARTS IDENTIFIER (Not To Scale)

# P1  Pool table playfield 1 Piece	# P2  Air Hockey playfield 1 Piece	# P3  Soccer Playfield 1 Piece	# P4  Black Jack Playfield 1 Piece	# P5  End Aprons A 1 Piece
# P6  End Aprons B 1 Piece	# P7  Card/Pool Side Aprons 1 Piece	# P8  Soccer/Hockey Side Aprons 1 Piece	# P9  Pool/Hockey Side Aprons 1 Piece	# P10  Soccer/Card Side Aprons 1 Piece
# P11  Leg 2 Pieces	# P12  Power Line Button 1 Piece	# P13 (Assembled)  3 Player (Blue) Rod Assembly 2 Pieces	# P14 (Assembled)  2 Player (Blue) Rod Assembly 1 Piece	# P15 (Assembled)  4 Player (Blue) Rod Assembly 1 Piece
# P16 (Assembled)  3 Player (Yellow) Rod Assembly 2 Pieces	# P17 (Assembled)  2 Player (Yellow) Rod Assembly 1 Piece	# P18 (Assembled)  4 Player (Yellow) Rod Assembly 1 Piece	# P19  Spring 4 Pieces	# P20  Konb 4 Pieces
# P21  Leg Support 2 Piece	# P22  MANUAL SLIDE Scorer 4 Pieces	# P23  M12 Lock Nut 2 Pieces	# P24  13.5X24 plastic Washer 4 Pieces	# P25  M6 Acorn Nut 8 Pieces
# P26  M6 Flat Washer 8 Pieces	# P27  Spring Washer 8 Pieces	# P28  Axletree 2 Pieces	# P29  Axletree Seat 2 Pieces	# P30  Konb Seat 8 Pieces
# P31  4X45mm Washer Head Screw 48 Pieces	# P32  3.5X25mm Washer Head Screw 18 Pieces	# P33  3.5X30mm Washer Head Screw 16 Pieces	# P34  3.5X14mm Washer Head Screw 22 Pieces	# P35  3.5X25mm Flat Head Screw 24 Pieces
# P36  4X55mm Washer Head Screw 16 Pieces	# P37  3.5X15mm Washer Head Screw 17 Pieces	# P38  3.5X14mm Flat Head Screw 36 Pieces	# P39  M6 Metal Wrench 1 Piece	# P40  M12 Metal Wrench 1 Piece
# P41  Fan 1 Piece	# P42  Soccer Goal 2 pieces	# P43  Soccer Goal 2 Pieces	# P44  Axle A 1 piece	# P45  Axle B 1 piece

PARTS IDENTIFIER (Not To Scale)

<p># P46</p>  <p>12mm Support 6 Pieces</p>	<p># P47</p>  <p>15mm Support 2 Pieces</p>	<p># P48</p>  <p>13.5X24 plastic Washer 8 Pieces</p>	<p># P49</p>  <p>12X27X12 rubber Bumper 8 Pieces</p>	<p># P50</p>  <p>6X23 plastic Washer 16 Pieces</p>
<p># P51</p>  <p>6X27X12 rubber Bumper 8 Pieces</p>	<p># P52</p>  <p>Iner Nut Silver 8 Pieces</p>	<p># P53</p>  <p>Card End Top Board 2 Pieces</p>	<p># P54</p>  <p>Card Side Top Board 2 Pieces</p>	<p># P55</p>  <p>Hand Grips 8 Pieces</p>
<p># P56</p>  <p>corner pocket Plastic 4 pieces</p>	<p># P57</p>  <p>Side pocket Plastic 2 Pieces</p>	<p># P58</p>  <p>Triangle plastic of Goal 2 Pieces</p>	<p># P59</p>  <p>Triangle plastic of Side 2 Pieces</p>	<p># P60</p>  <p>Triangle plastic A of End 2 Pieces</p>
<p># P61</p>  <p>Triangle plastic B of End 2 Pieces</p>	<p># P62</p>  <p>Leveler Leg Seat 4 Pieces</p>			

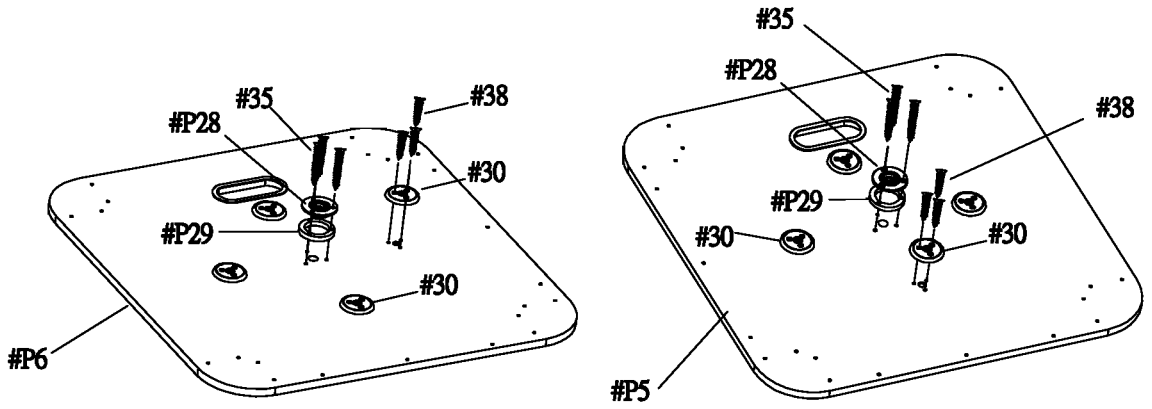
ACCESSORY IDENTIFIER (Not To Scale)

<p># A1</p>  <p>1.5" Billiard Ball 1 Set</p>	<p># A2</p>  <p>Chalk 2 Pieces</p>	<p># A3</p>  <p>36" Billiard Cue 2 Pieces</p>	<p># A4</p>  <p>Plastic Triangle 1 Piece</p>	<p># A5</p>  <p>Brush 1 Piece</p>
<p># A6</p>  <p>Pusher-Red 2 Pieces</p>	<p># A7</p>  <p>Round Puck -Red 2 Pieces</p>	<p># A8</p>  <p>Soccer Ball 2 Pieces</p>	<p># A9</p>  <p>Rod Ring 8 Pieces</p>	<p># A10</p>  <p>Card 1 Set</p>

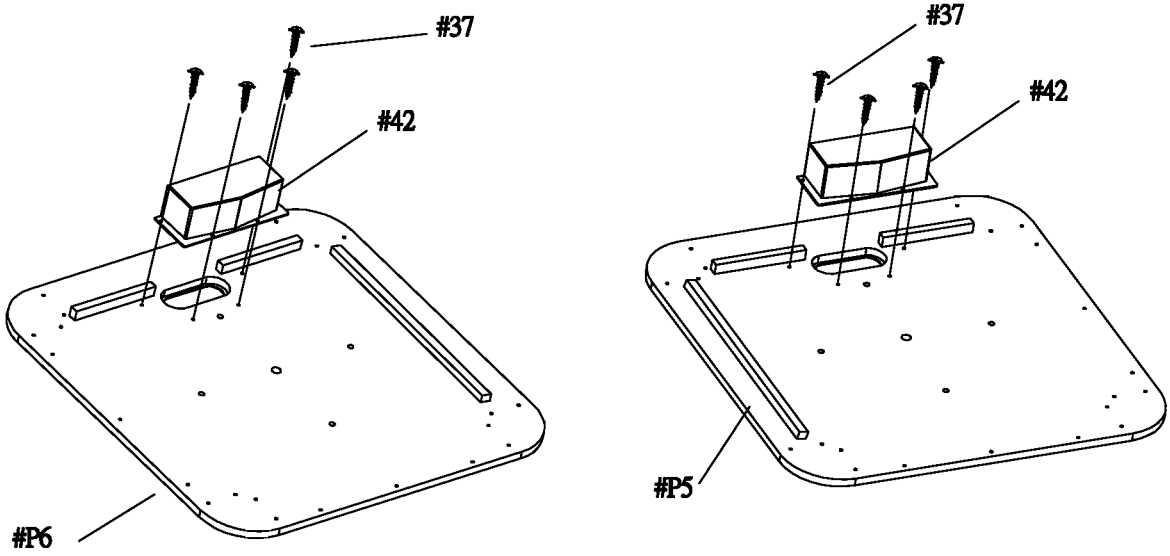


WARNING: Choking Hazard--Table contains small balls and/or small parts. Not for children Under 6 years.

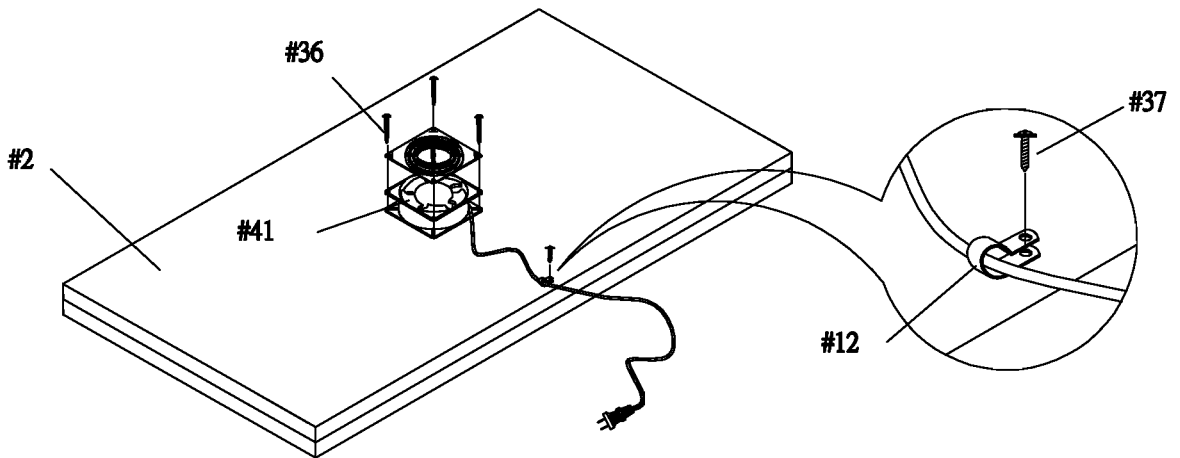
Step 1



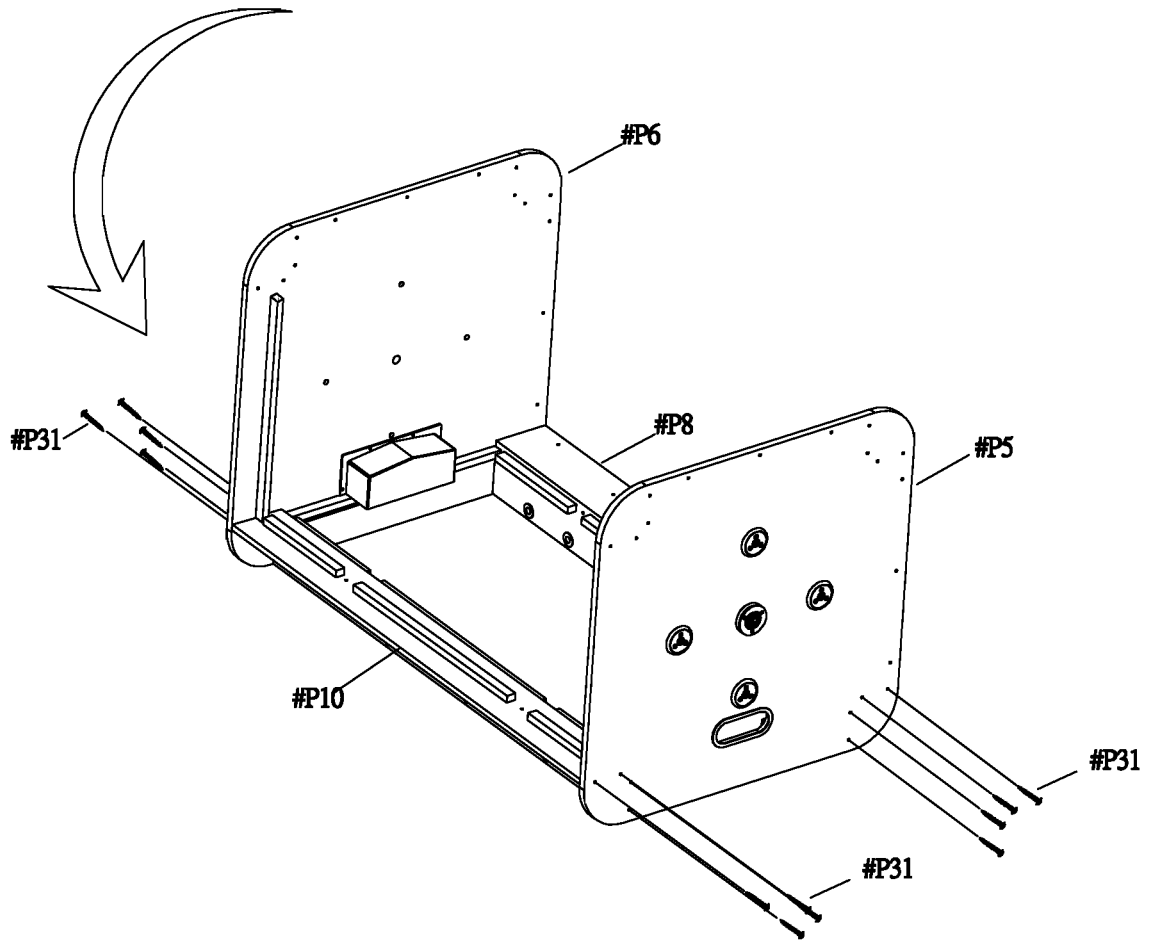
Step 2



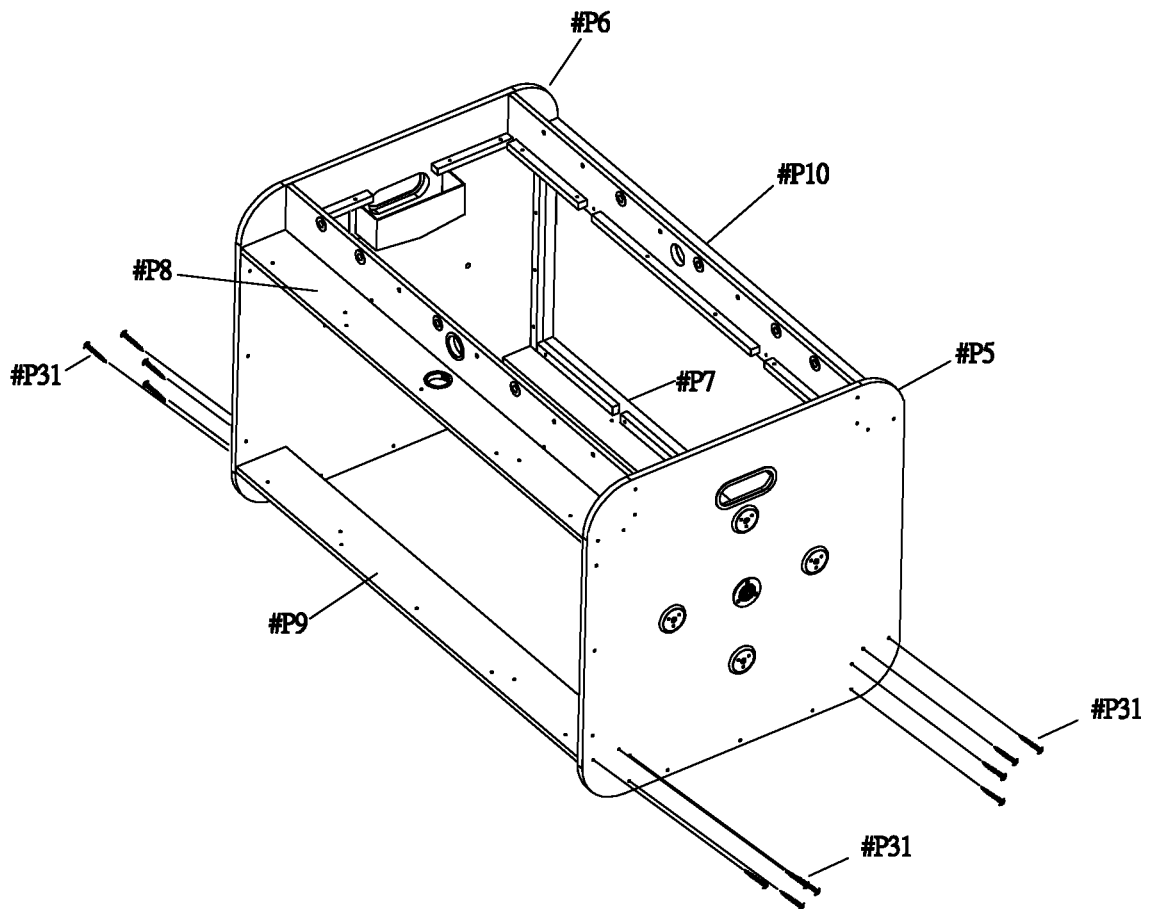
Step 3



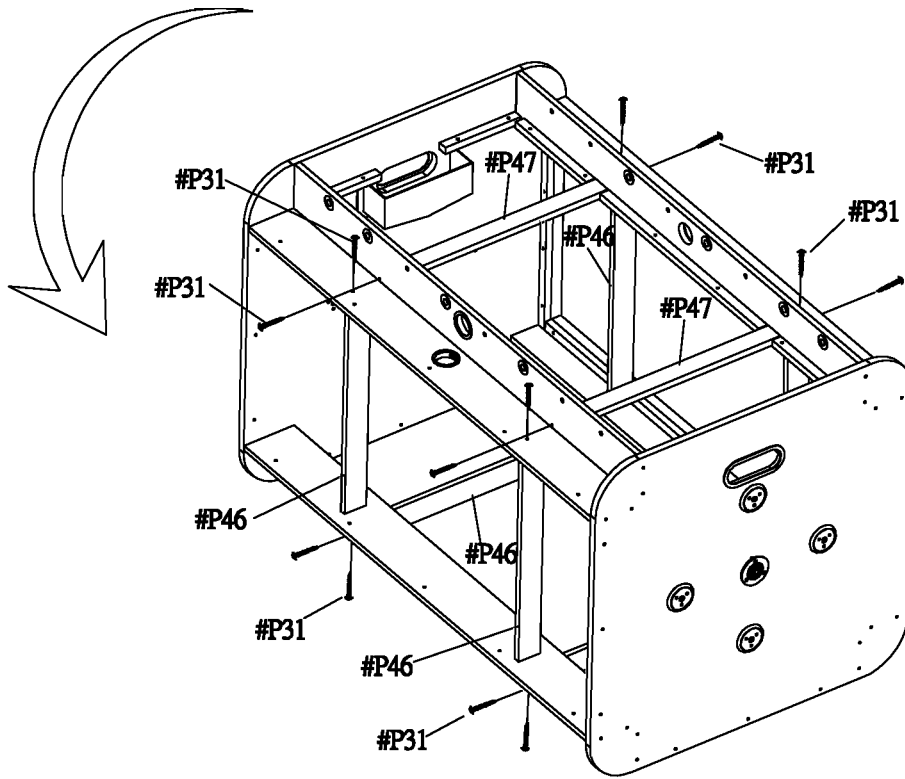
Step 4



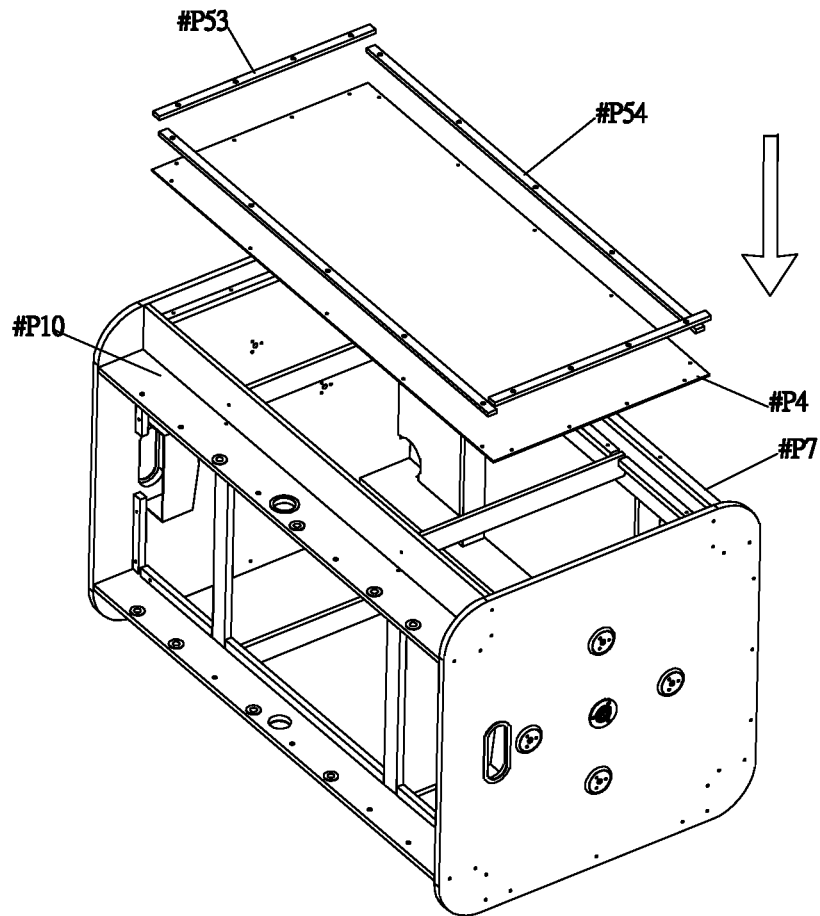
Step 5



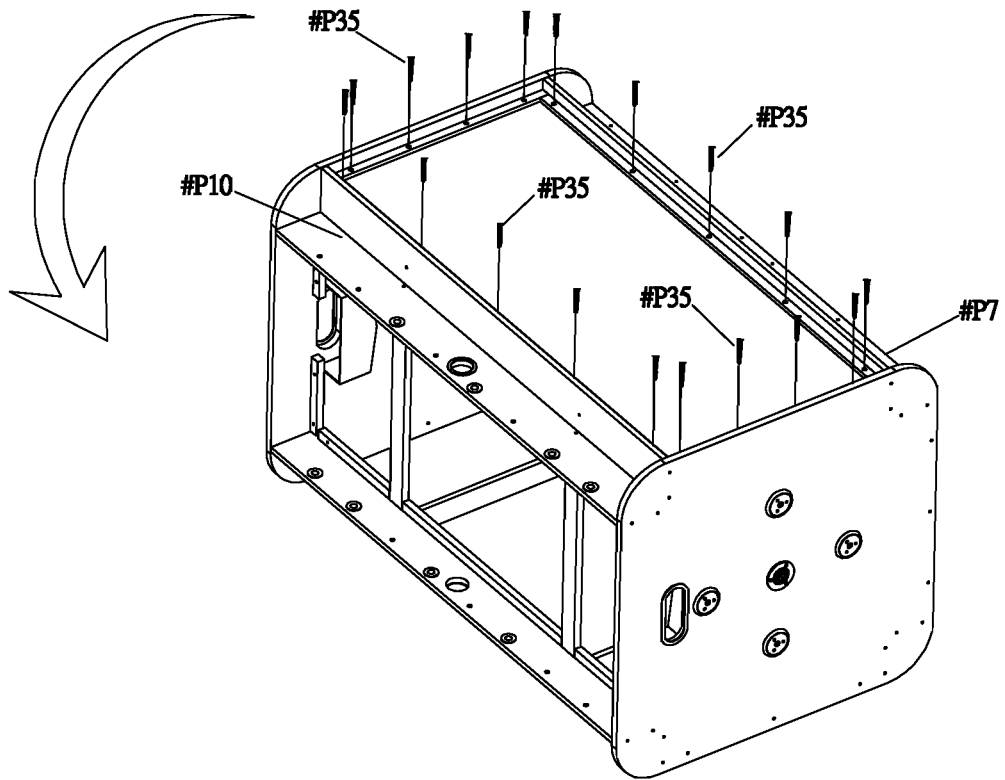
Step 6



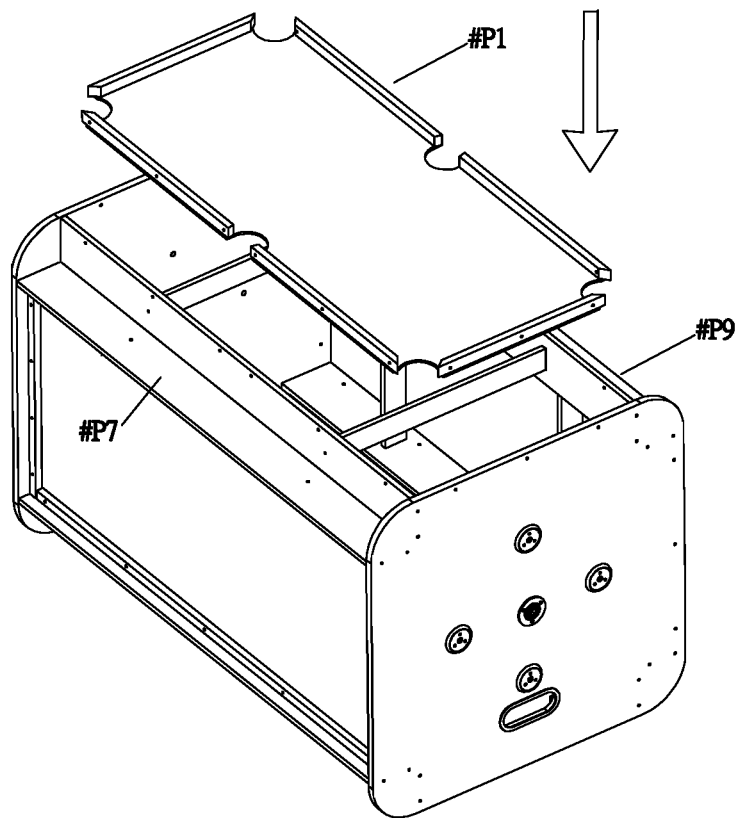
Step 7



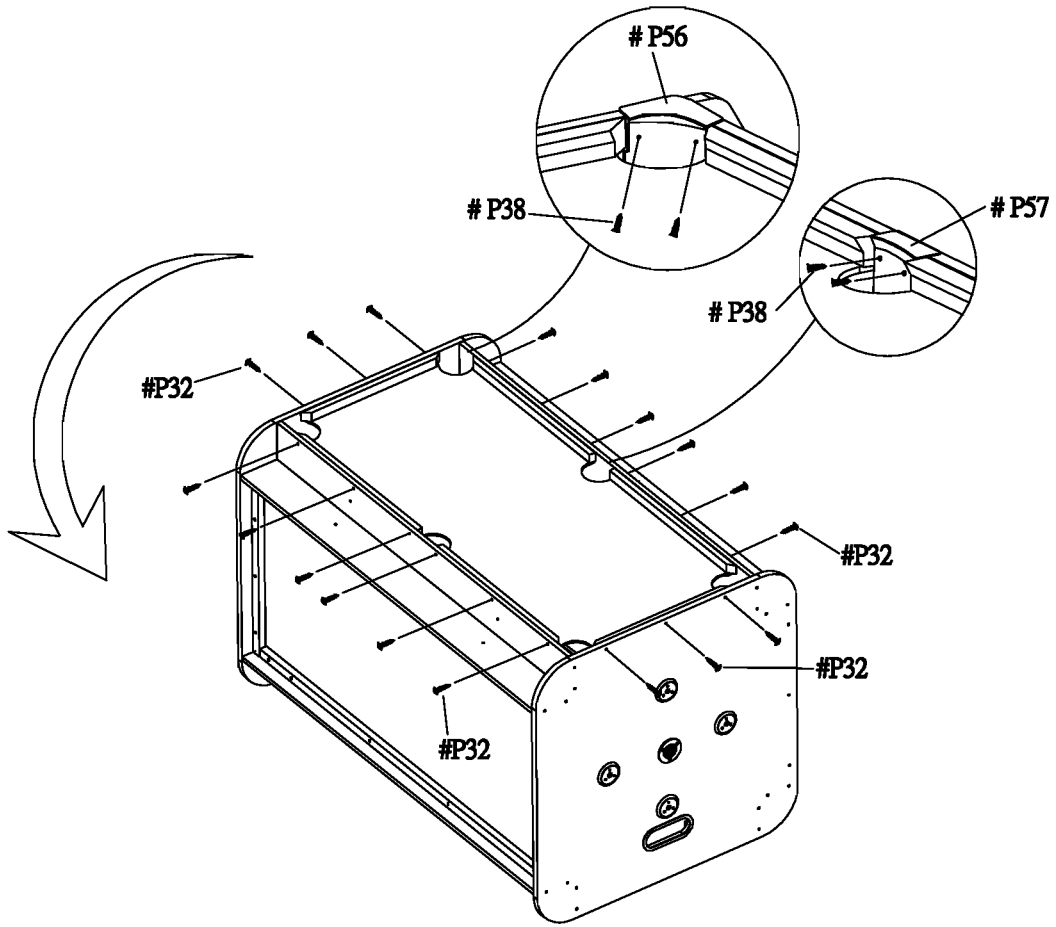
Step 8



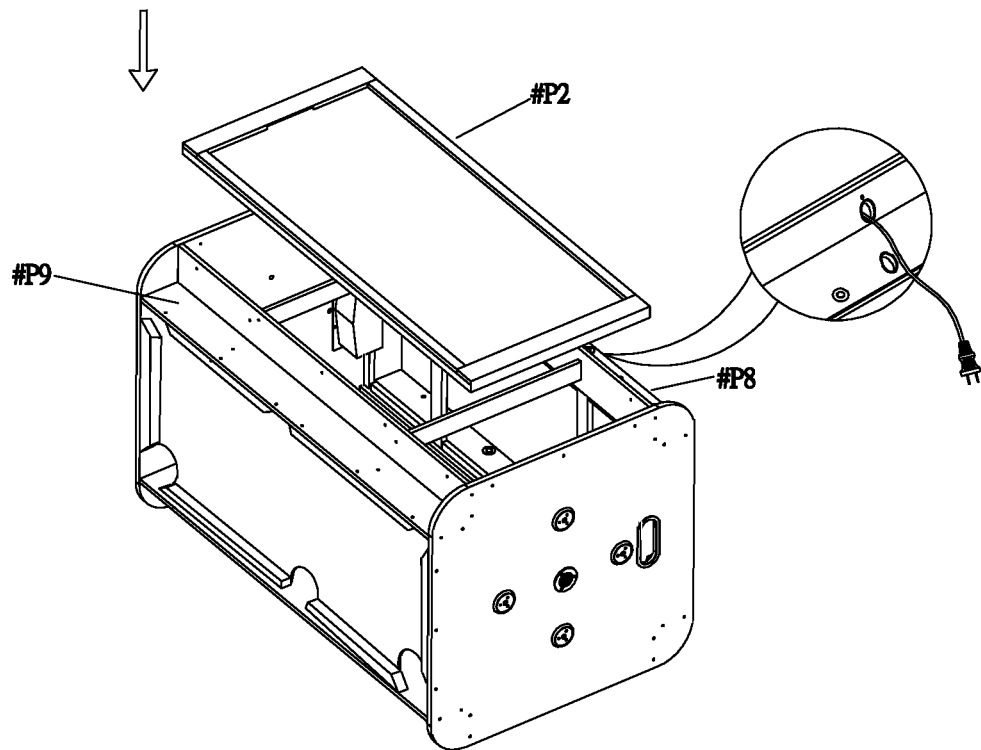
Step 9



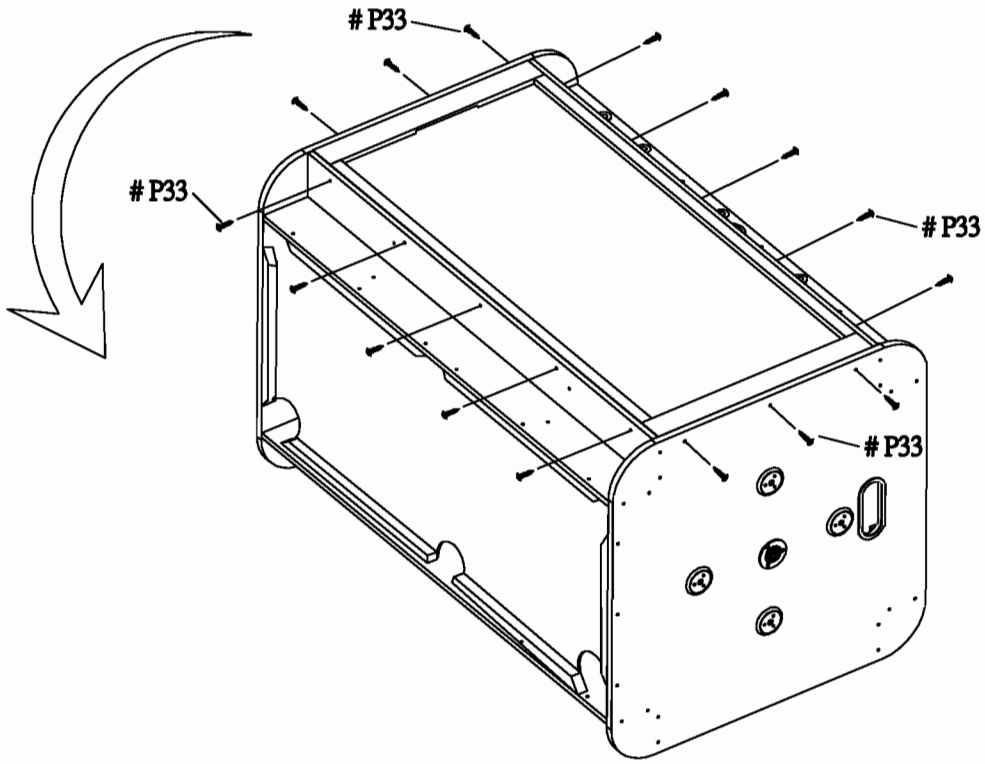
Step 10



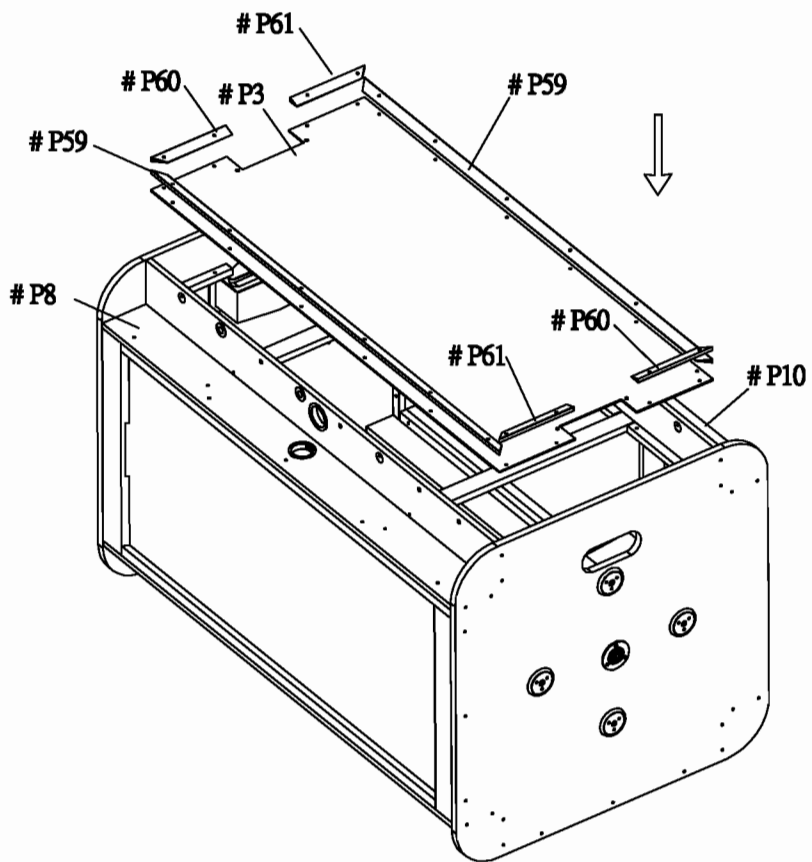
Step 11



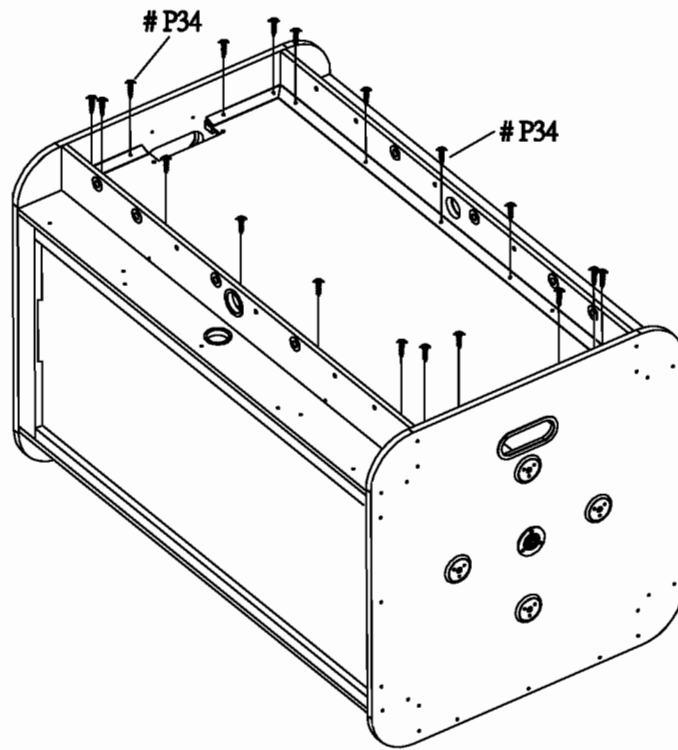
Step 12



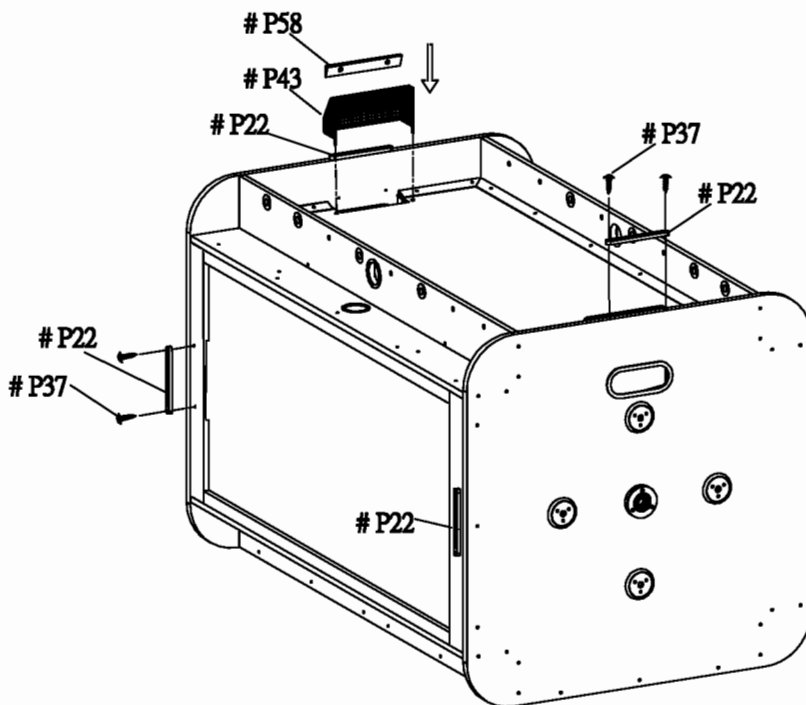
Step 13



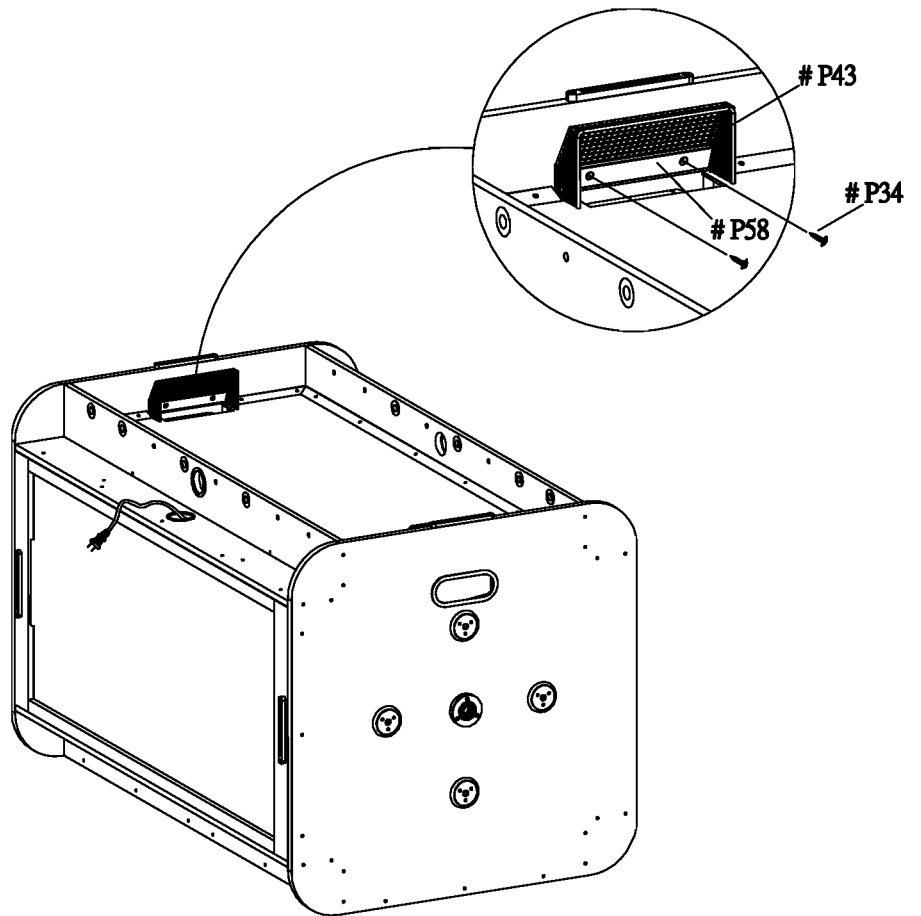
Step 14



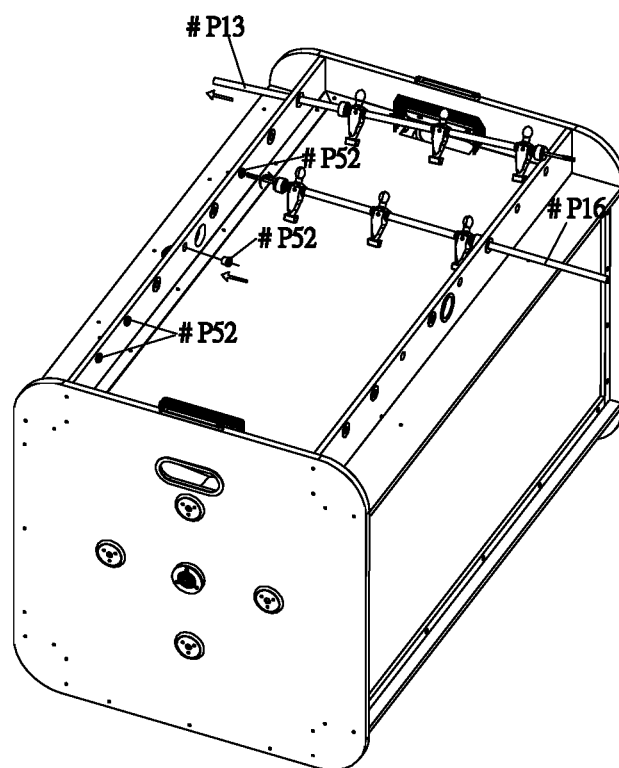
Step 15



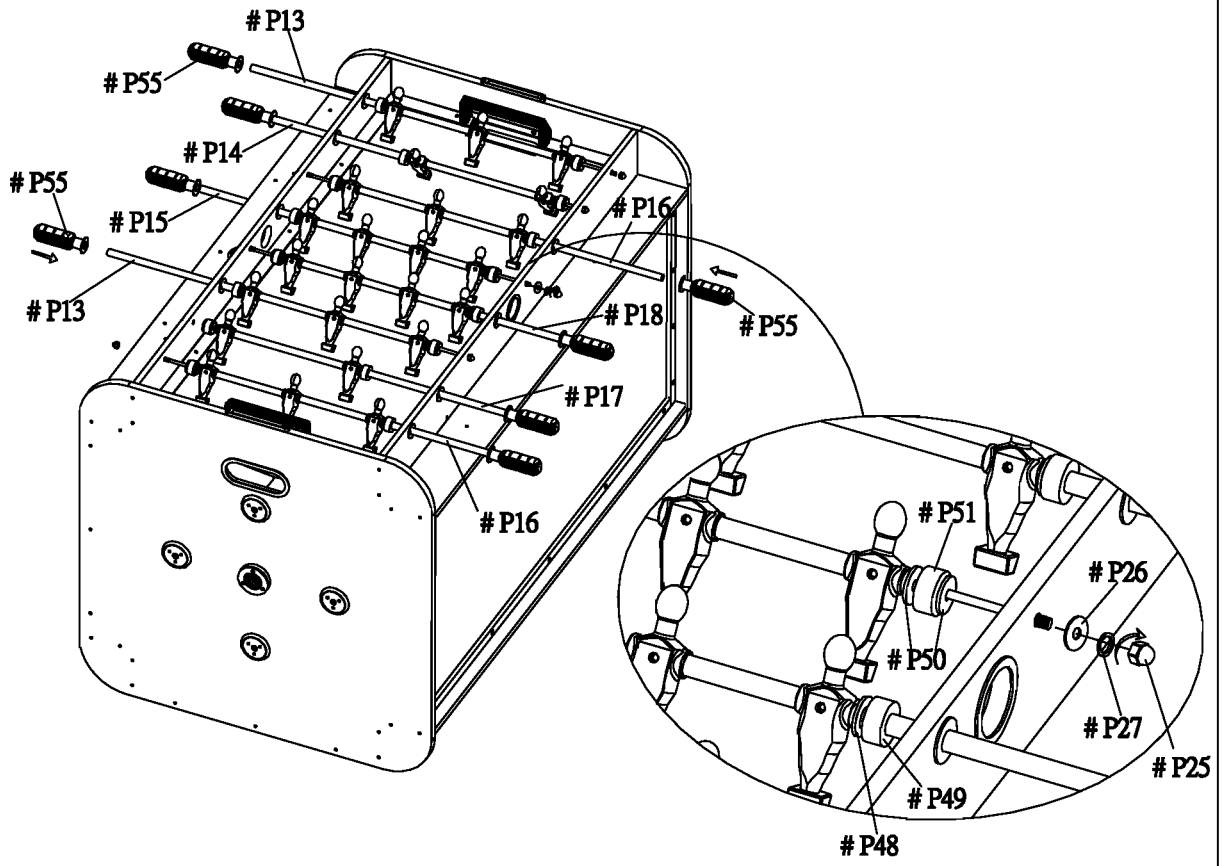
Step 16



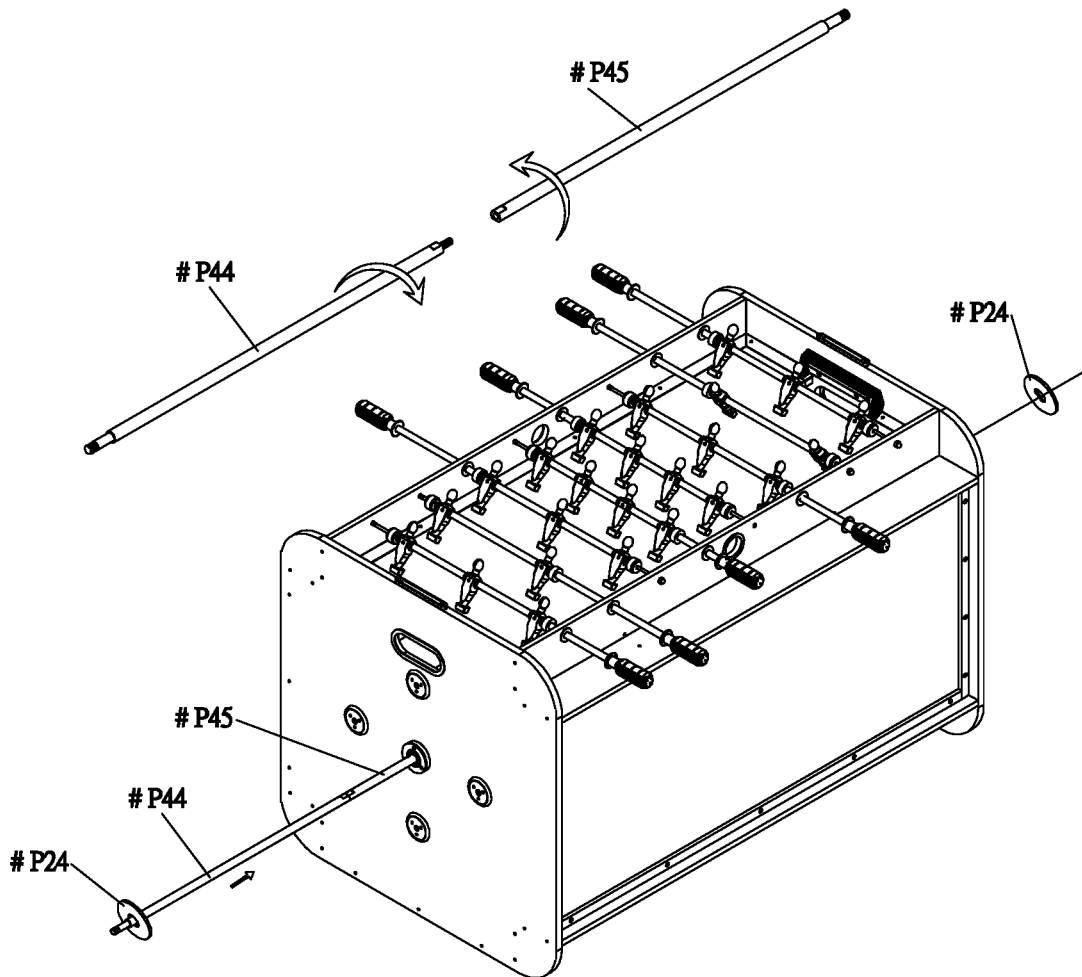
Step 17



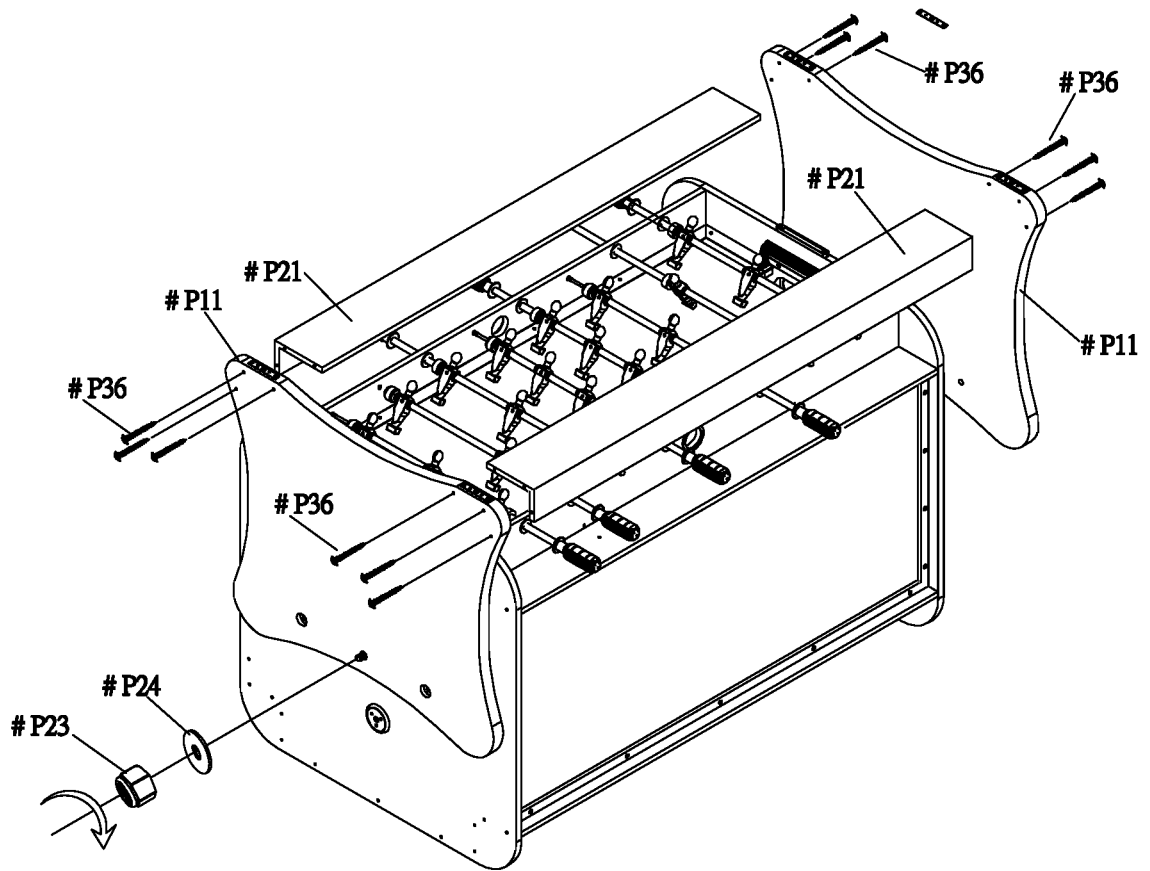
Step 18



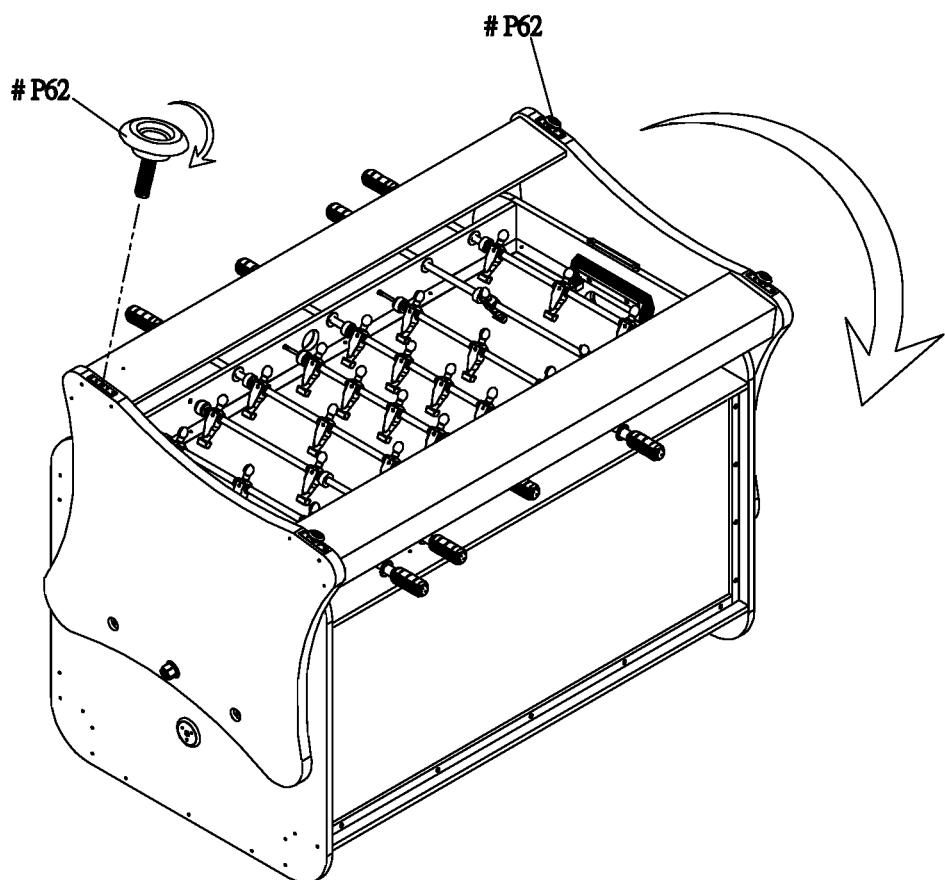
Step 19



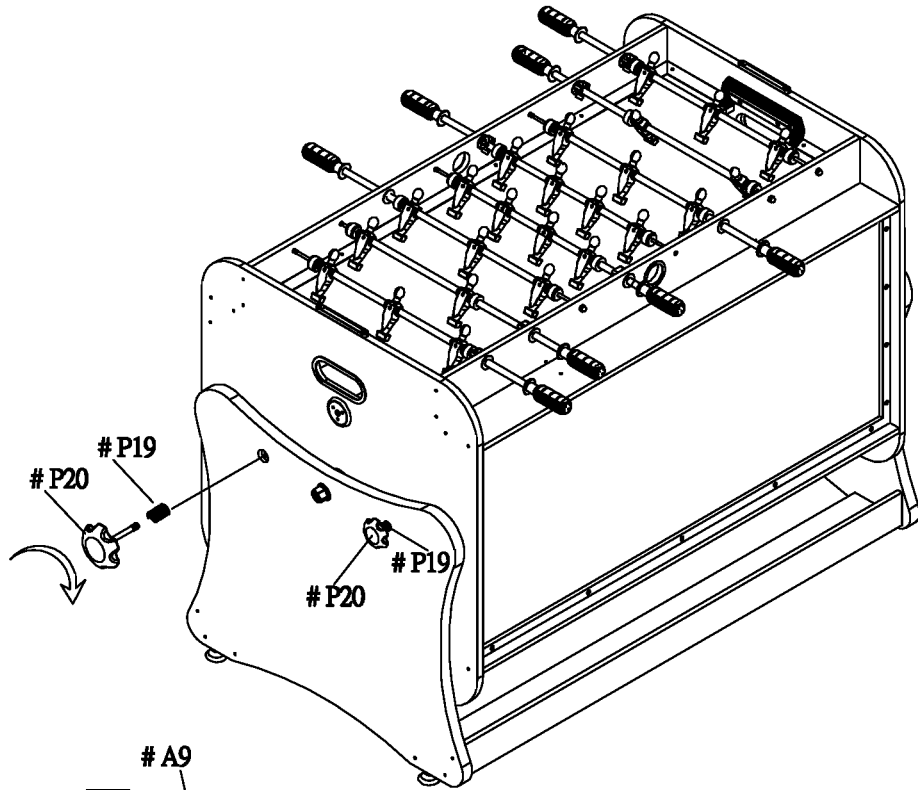
Step 20



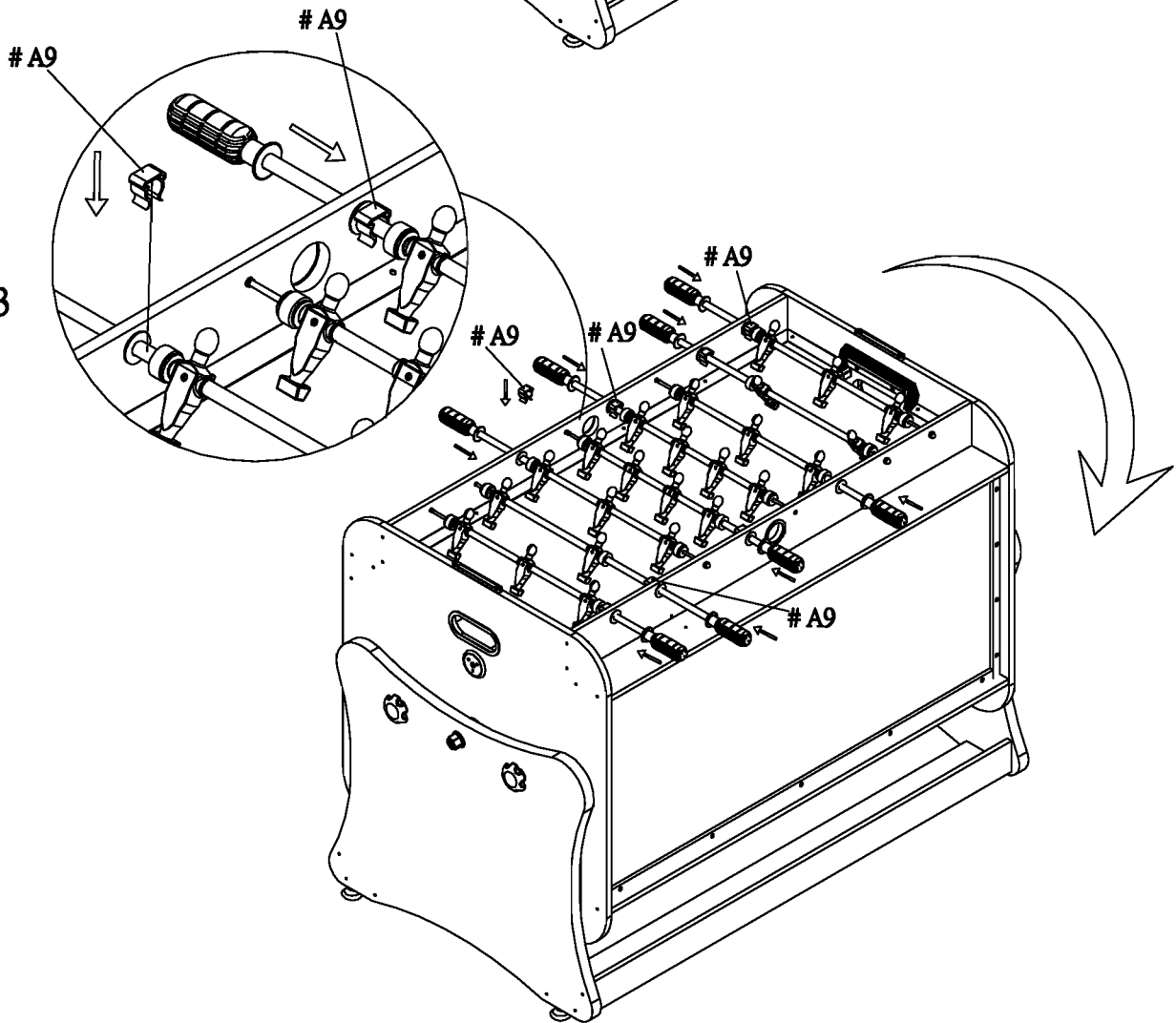
Step 21



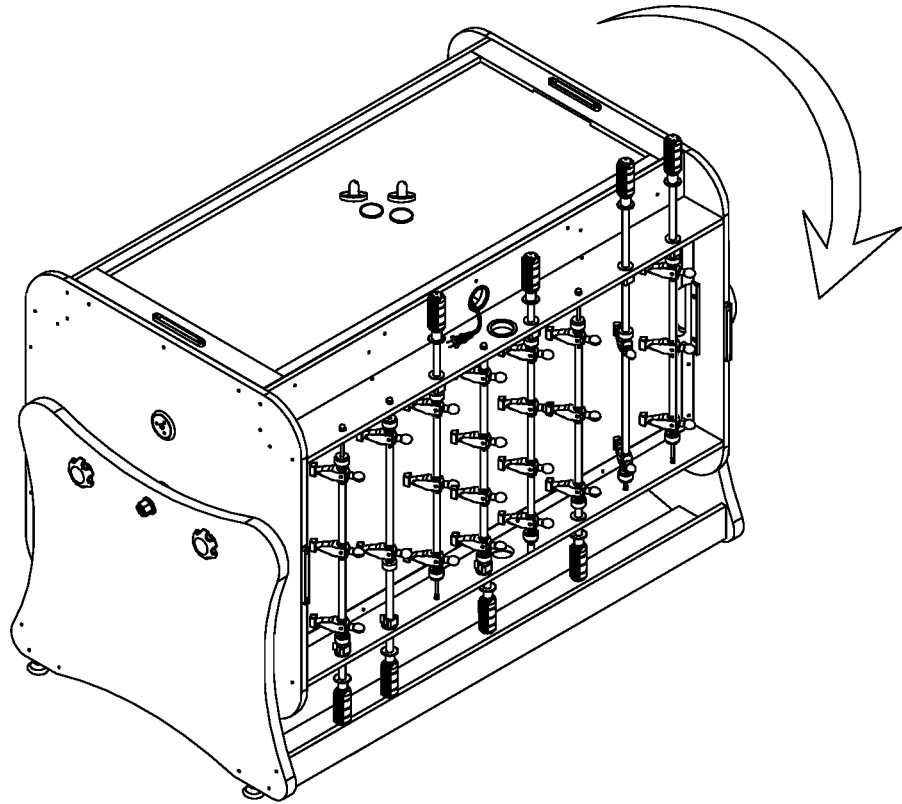
Step 22



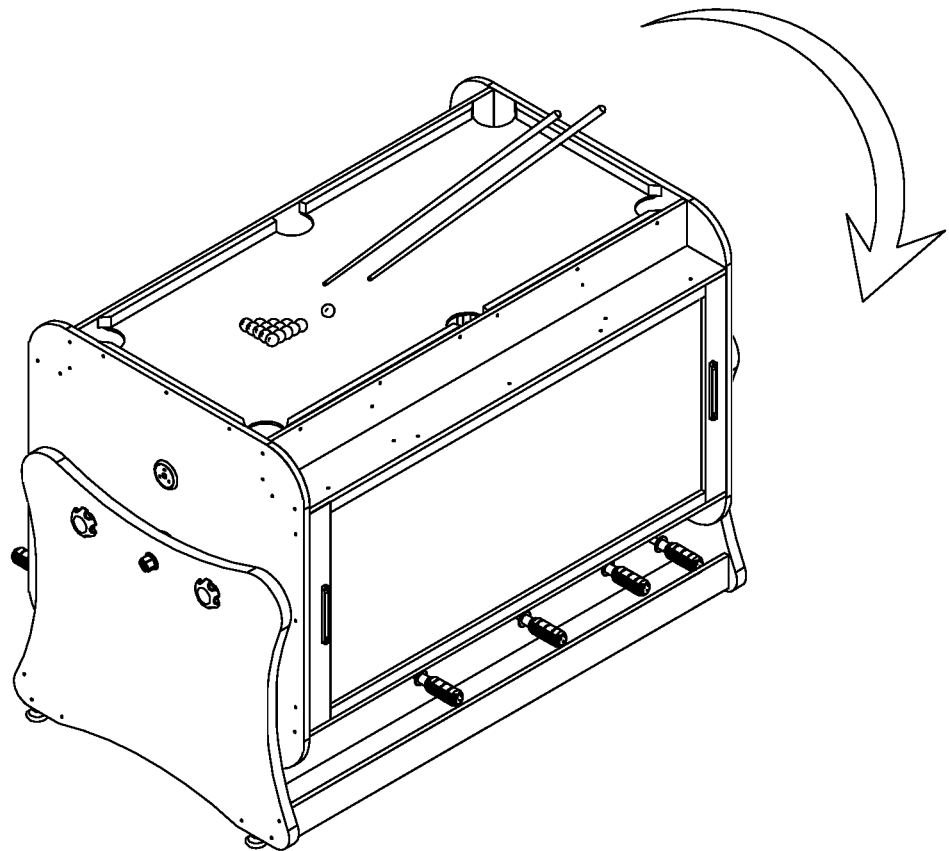
Step 23



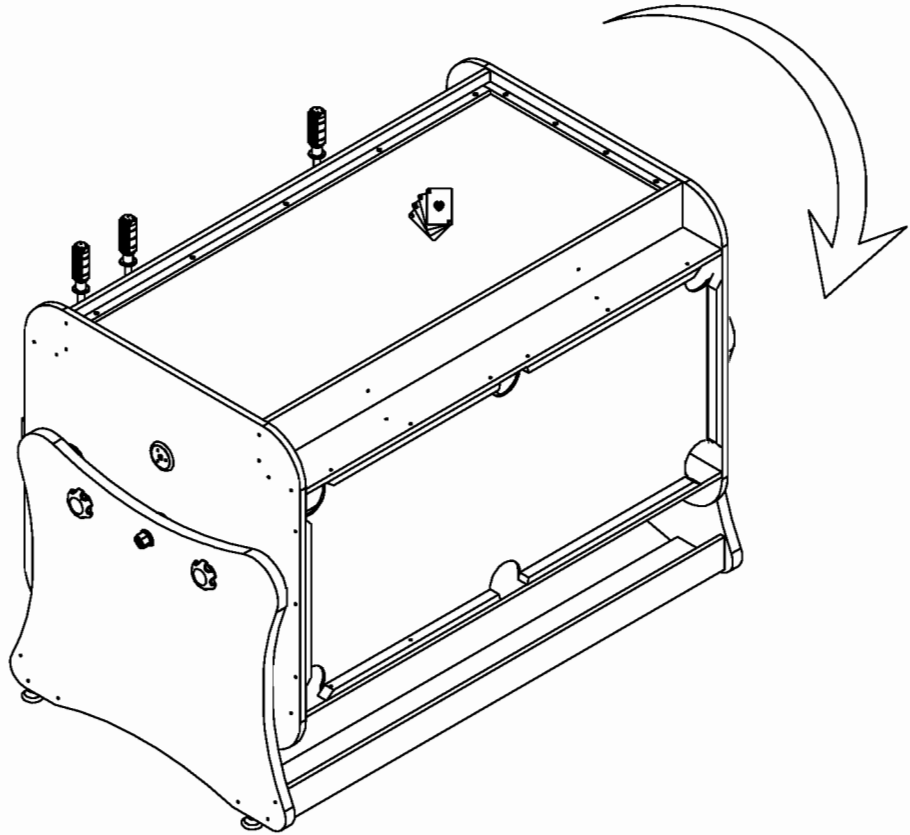
Games 1



Games 2



Games 3



Games 4

