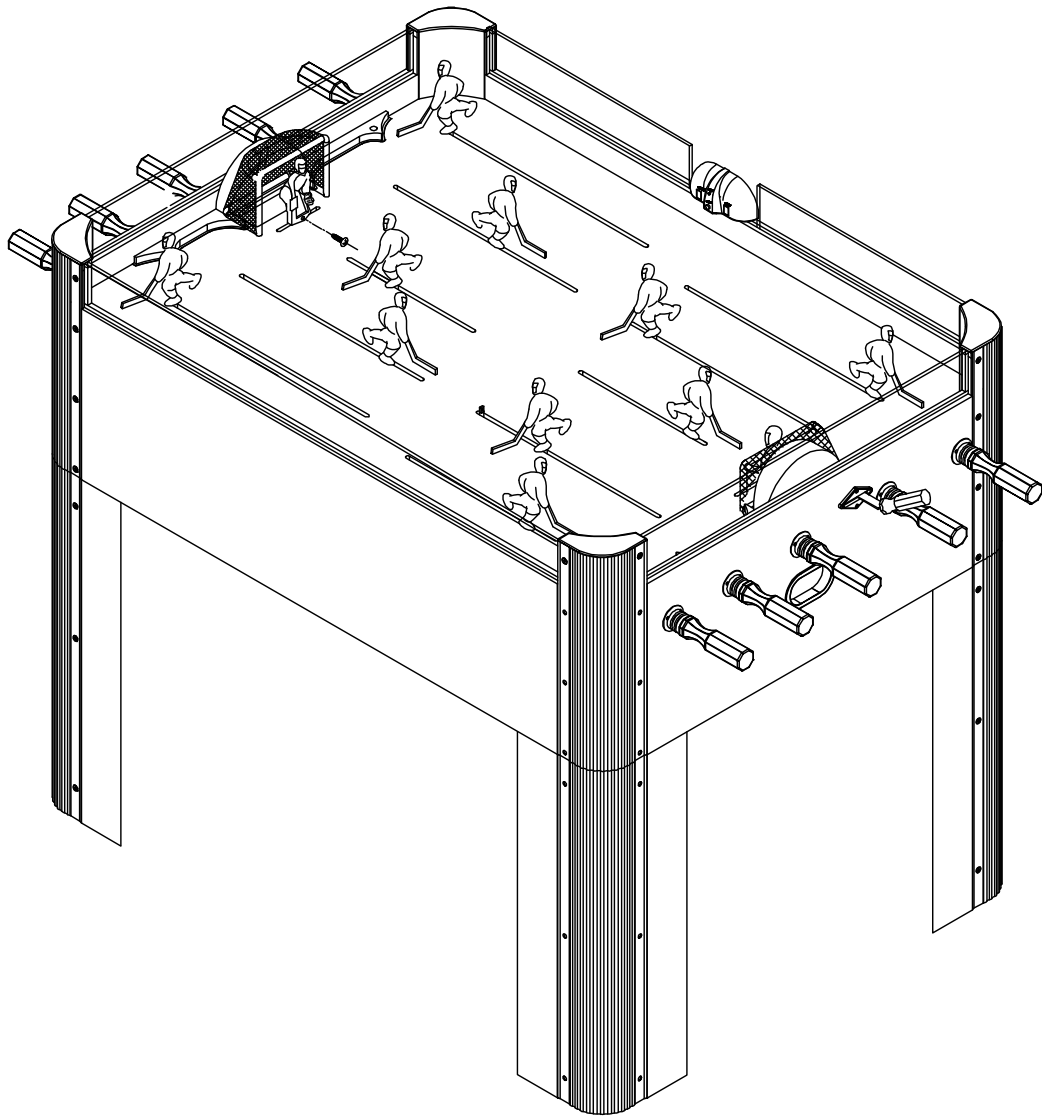


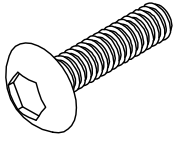
Rod Hockey Game Table Assembly Instruction



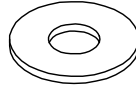
900356

PARTS IDENTIFIER

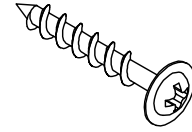
(Not to Scale)



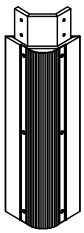
P1 M6 Allen Key Bolt
16 Pieces



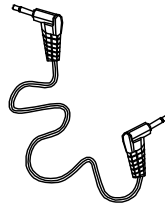
P2 M6 Flat Washer
16 Pieces



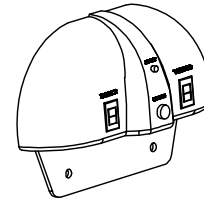
**P3 3.5X18mm Washer
Head Screw 2 Pieces**



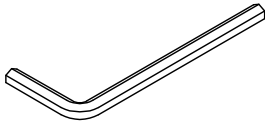
P4 LEG 4Pieces



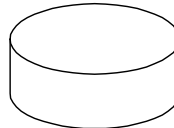
P5 Audio Wire
1 Piece



P6 Electron scorer
1 Piece



T1 Allen Wrench
1 Piece

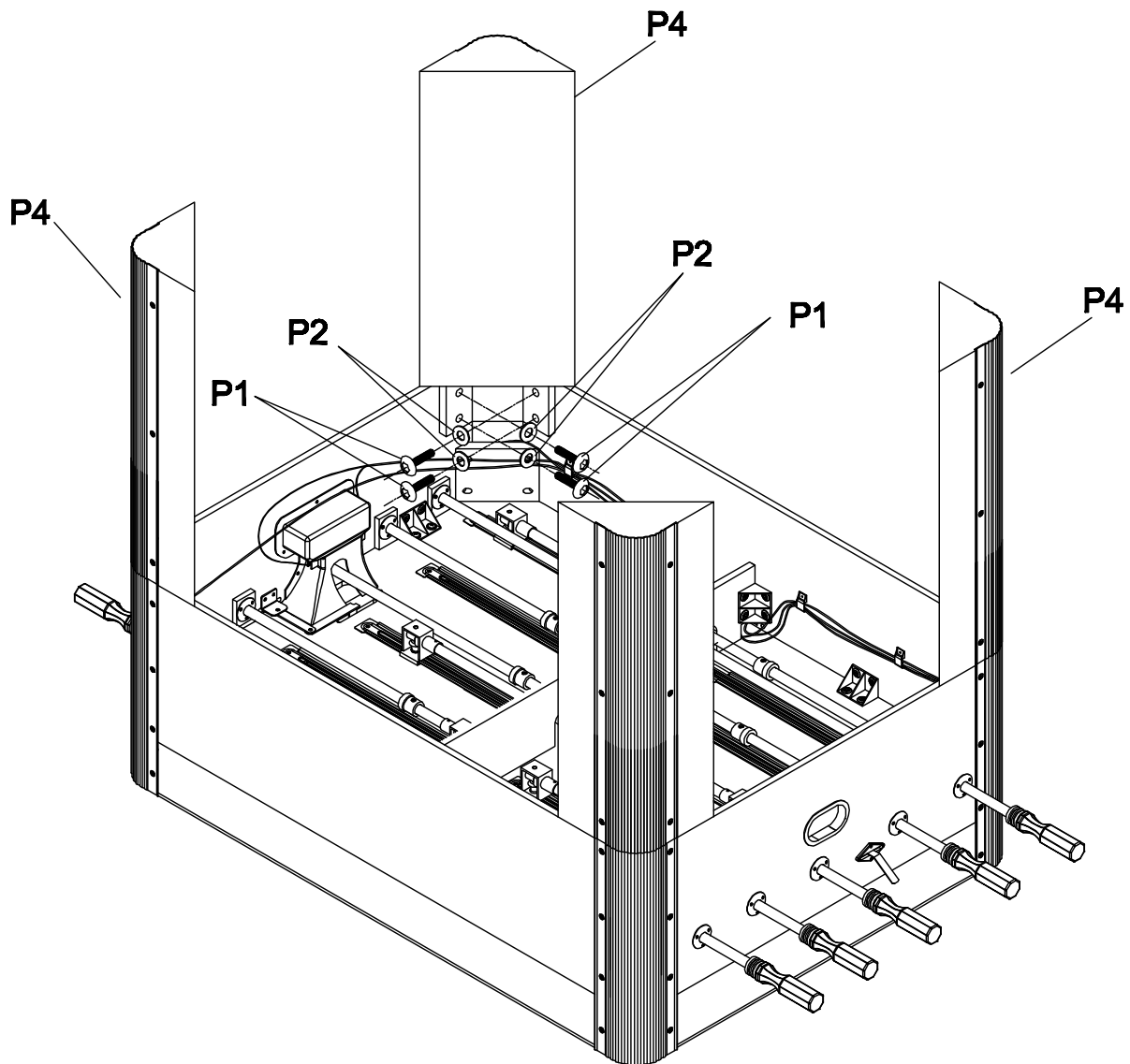


A1 Hockey Puck
4 Pieces



WARNING: Choking Hazard --Table contains small balls and/or small parts. Not for children under 6 years.

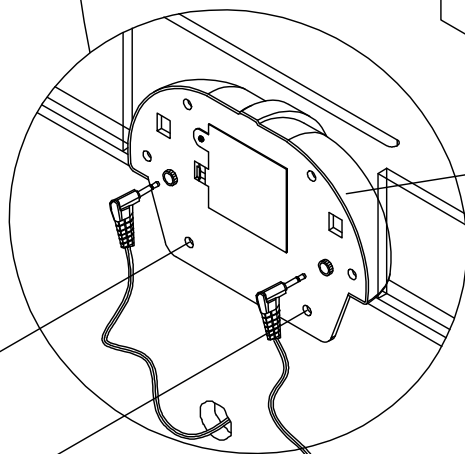
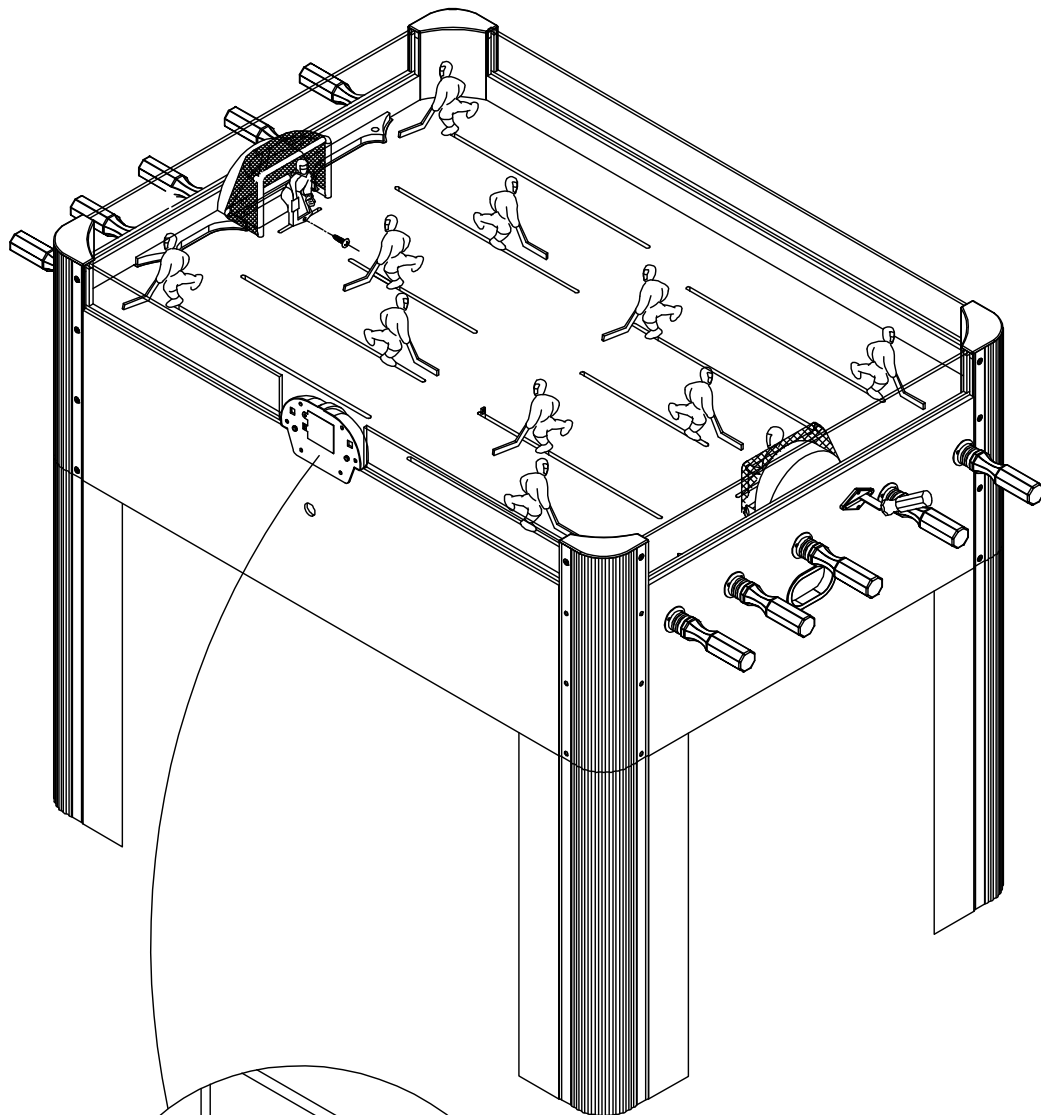
P1



⚠ WARNING:

THIS STEP REQUIRES TWO OR MORE ADULTS.
VERY CAREFULLY TURN THE TABLE OVER AND SET IT ON
ITS LEGS. BE CAREFUL, THE TABLE IS VERY HEAVY.

P2



P6

To MP3 Audio Output

P5

P3

Please open the electron Scorer battery cover and insert four batteries before play!

P3