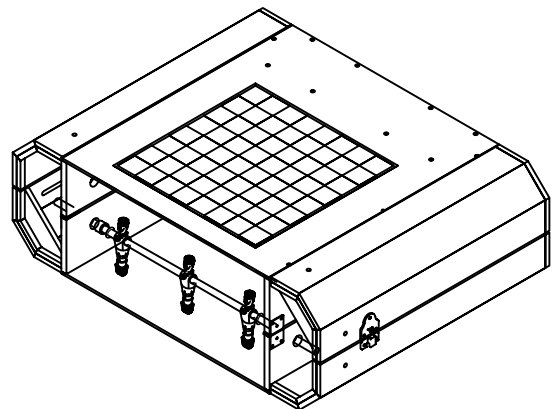
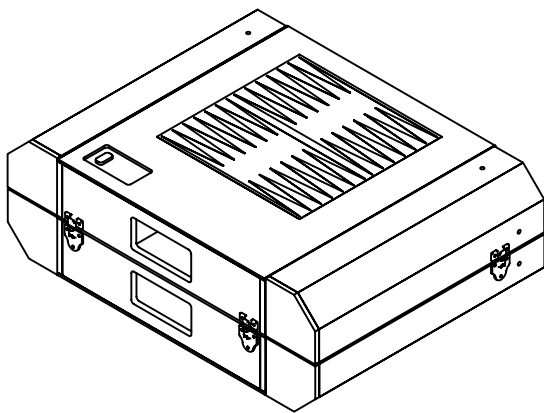
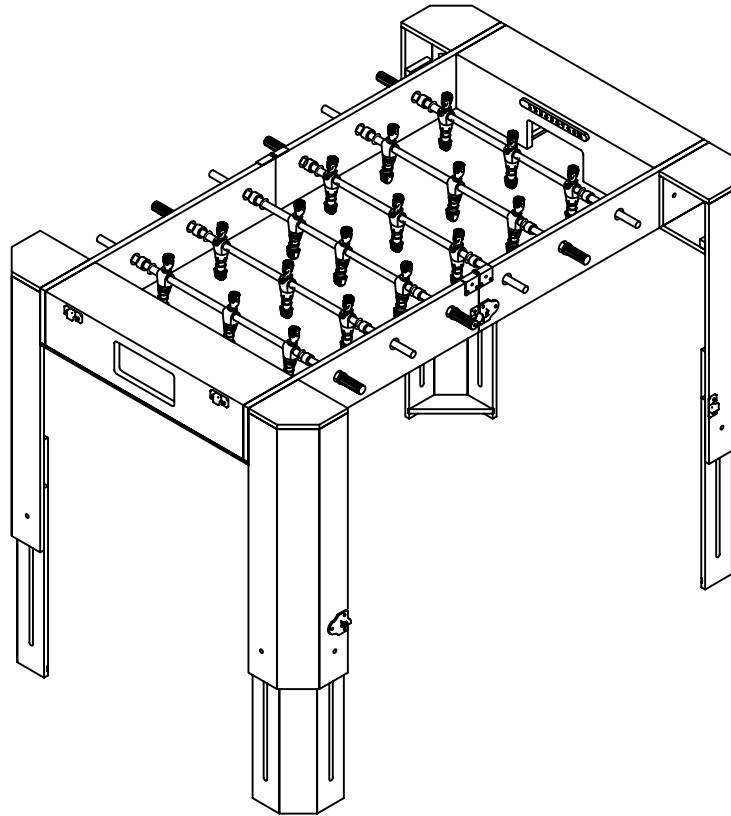
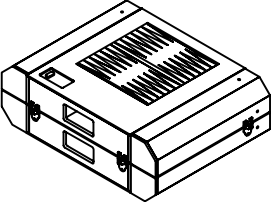
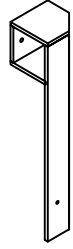
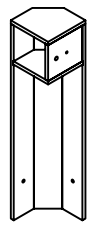
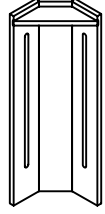




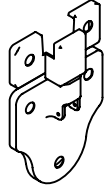
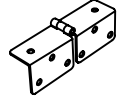
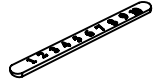
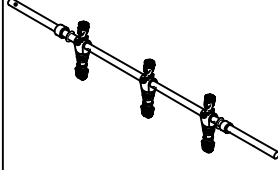
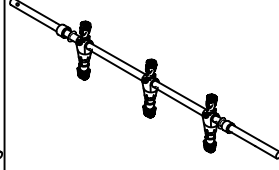
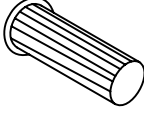
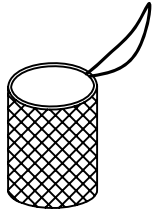
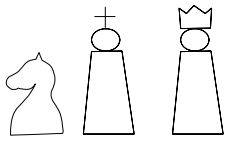

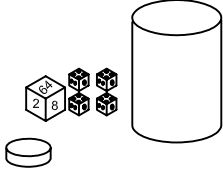


900362

2 in 1 Folding Soccer Table

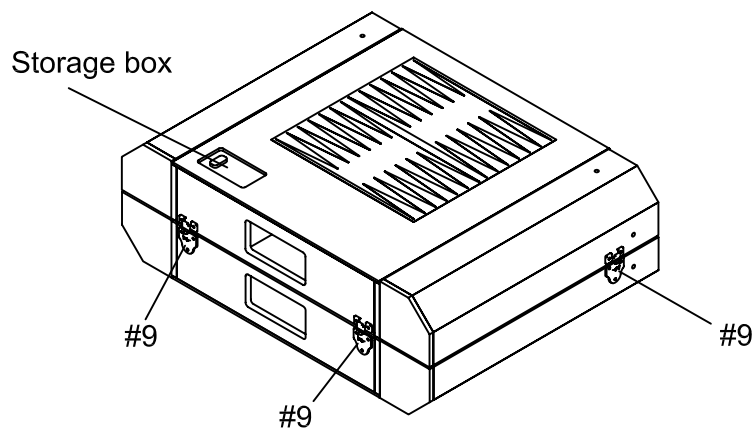


PARTS IDENTIFIER (NOT TO SCALE)

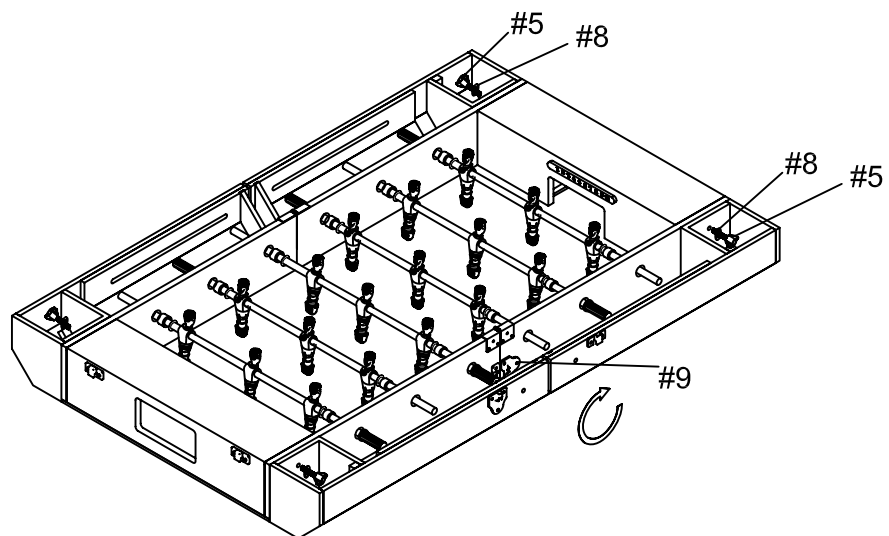
<p>#1</p>  <p>Main frame 1 piece</p>	<p>#2 (PRE-INSTALLED)</p>  <p>Left leg 2 pieces</p>	<p>#3 (PRE-INSTALLED)</p>  <p>Right leg 2 pieces</p>	<p>#4 (PRE-INSTALLED)</p>  <p>Inner leg 4 pieces</p>	<p>#5 (PRE-INSTALLED)</p>  <p>M8X38 mm Leg Bolt 4 pieces</p>
<p>#6 (PRE-INSTALLED)</p>  <p>M6X18 mm Leg Bolt 8 pieces</p>	<p>#7 (PRE-INSTALLED)</p>  <p>18 mm Washer 8 pieces</p>	<p>#8 (PRE-INSTALLED)</p>  <p>22 mm Washer 4 pieces</p>	<p>#9 (PRE-INSTALLED)</p>  <p>Lock 6 pieces</p>	<p>#10 (PRE-INSTALLED)</p>  <p>Metal Hinge 2 pieces</p>
<p>#11 (PRE-INSTALLED)</p>  <p>Slide Scorer 2 pieces</p>	<p>#12 (PRE-INSTALLED)</p>  <p>Home Players Rod 3 piece</p>	<p>#13 (PRE-INSTALLED)</p>  <p>Away Players Rod 3 piece</p>	<p>#14 (PRE-INSTALLED)</p>  <p>Rod Handle 6 pieces</p>	<p>#15 (PRE-INSTALLED)</p>  <p>Net 2 pieces</p>
<p>#16</p>  <p>Chess Set 1 set</p>	<p>#17</p>  <p>Soccer Ball 2 pieces</p>	<p>#18</p>  <p>Backgammon Set 1 set</p>		

Assembly instructions for soccer table .

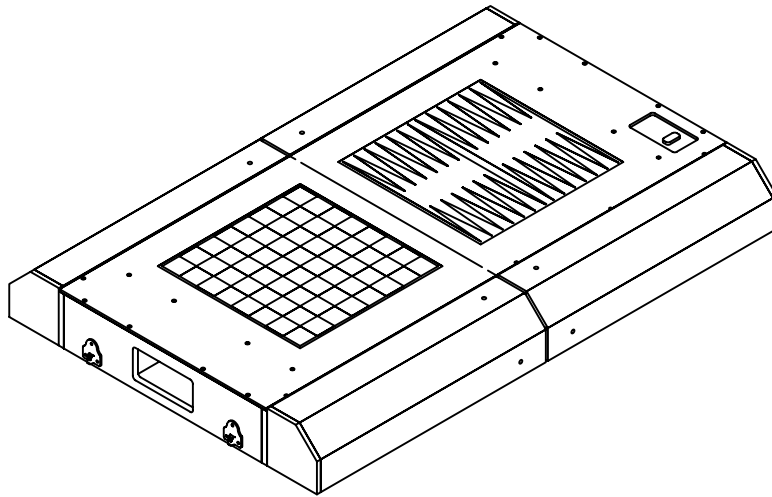
1. Loosen the locks 2 (#9) as shown below figure.



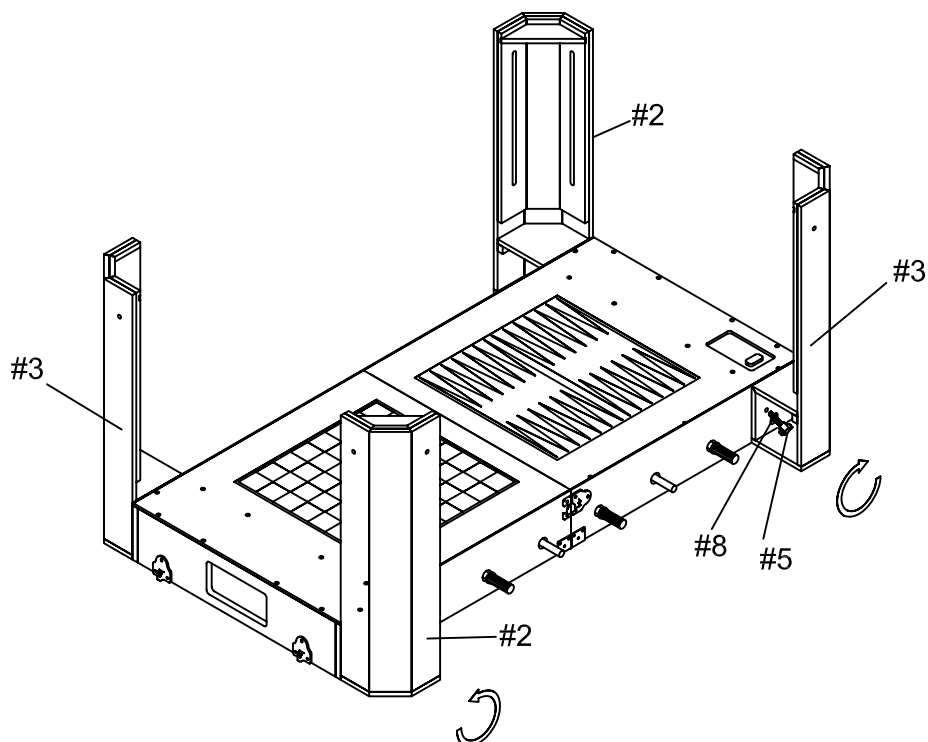
2. Open the table , then buttoned the locks (#9) .Next take the leg bolts (#5) and Washers (#8) off , as shown below figure.



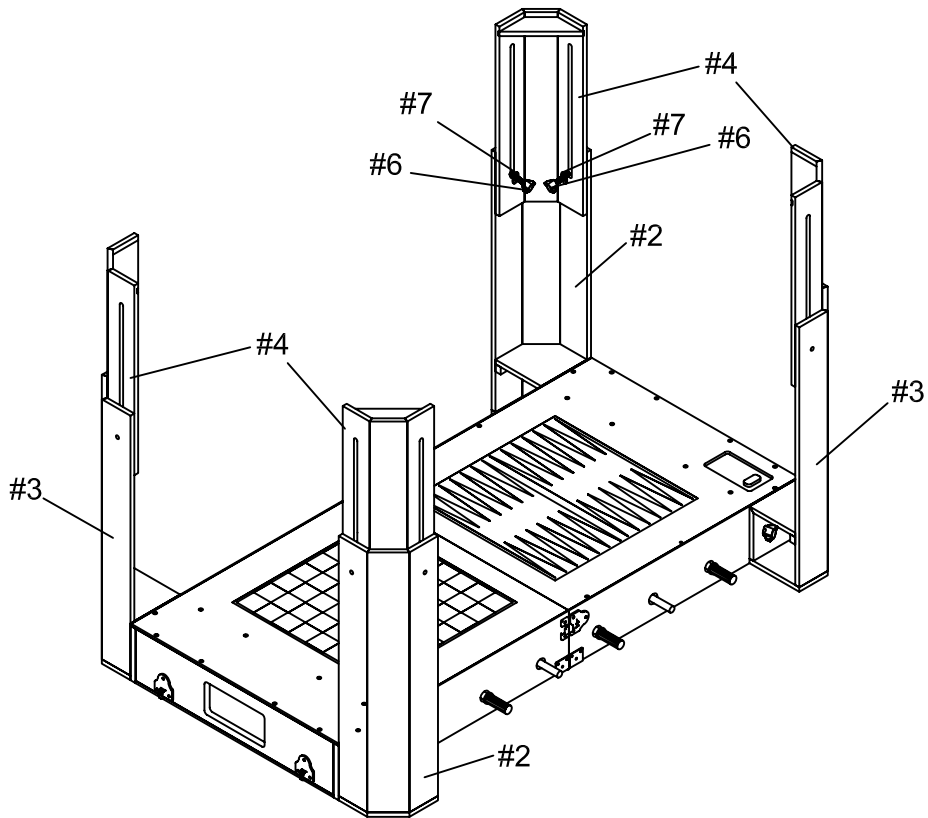
3. Turn over the game table , as shown below figure.



4. Attach the left legs (#2) and right legs (#3) using leg bolts (#5) and Washers (#8) as shown below figure.



5. Loosed the leg bolts (#6) and washers (#7) , and place the inner legs (#4) to the topest , then tighten the leg bolts (#6) and washers (#7),as shown below figure.



6. Turn over the game table and adjust the legs to be sure them in the same level .
Now you can enjoy the funny from the table.

