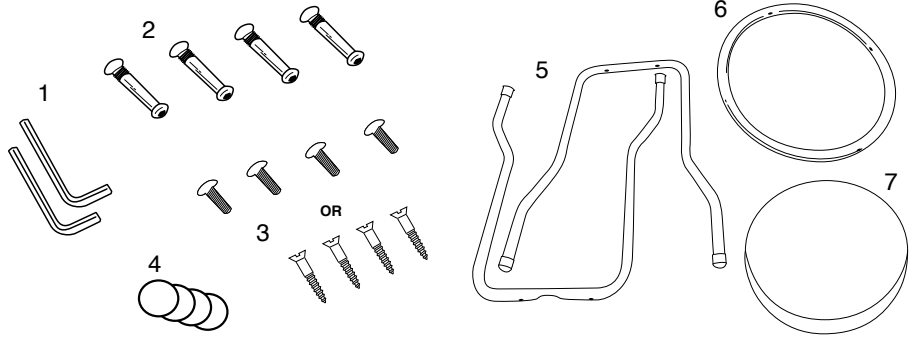


BARSTOOL ASSEMBLY INSTRUCTIONS

List of Contents

- 1 - (2) allen wrenches
- 2 - (4) sleeved allen head screws
- 3 - (4) machine screws or self-tapping screws
- 4 - (4) shims
- 5 - (2) barstool legs
- 6 - (1) foot ring
- 7 - (1) seat pad



Step 1: Place the two legs together as shown in the image above.



Step 2: Slide the ring over the legs and align the holes on the ring with the holes on the legs. Slide the sleeved, allen head screw into the hole and an allen head screw through the other side and tighten down using the supplied allen wrenches. Repeat for the other holes.



Step 3: Place the seat pad on a flat stable surface with the underside facing up. Turn the assembled legs and place it on the underside of the seat pad. Align the holes in the legs with the holes in the seat pad base. Using the supplied machine screws or self-tapping screws secure the seat pad to the legs.



If the stool legs are uneven insert a shim between the foot pad and the barstool leg to level the barstool.



For replacement parts or missing pieces, please do not return this product to the retailer. Call 949.305.4830 for free replacement parts.